

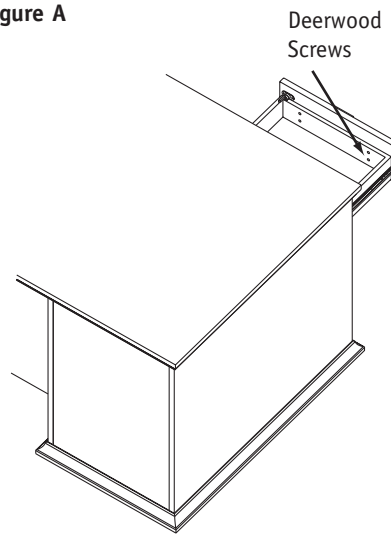
Note: Level unit prior to adjusting drawer fronts

1

Open drawer and locate the four (4) Deerwood screws attaching the drawer front to the drawer box (Figure A).

Note: Lateral File drawer fronts use six (6) screws.

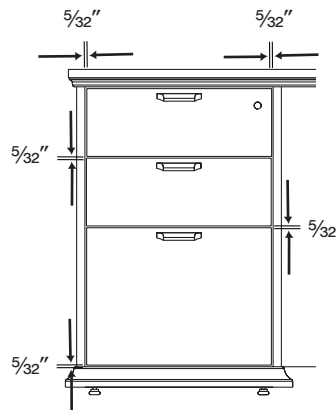
Figure A



2

Loosen screws and align drawer fronts to the approximate locations shown and tighten screws. Repeat for other drawers in unit (Figure B).

Figure B



Assembly Instructions

ESCALADE SERIES Drawer Front Adjustment

Recommended Tools

- Phillips Screwdriver
- Tape Measure

NATIONAL

Furniture with Personality™

Telephone 800.482.1717
Fax 812.482.8800
www.nationalonline.com

Form #NAIEDFA
Part #1560980

Printed in U.S.A.
© 2001 Kimball International, Inc.

Proper product installation, in accordance with these instructions, is the responsibility of the installing agent. If you have any questions concerning these instructions, please call National Customer Service.