

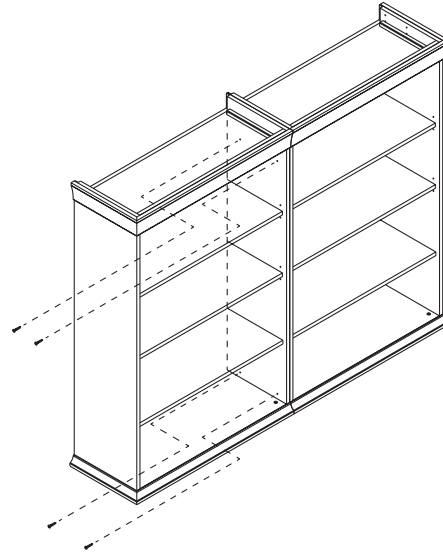
1

**Ganging Units**

A bookcase may be "ganged" to another ganging bookcase.

**Note:** All floor units and base units support above surface storage units MUST be leveled as described in the Leveling Assembly Instruction.

Figure A



2

Fasten units together using the #8 x 1 1/4" screws provided. Use a minimum of four (4) screws at the widest spacing possible to achieve the strongest and most stable assembly.

Assembly Instructions

**ESCALADE SERIES  
Bookcase to Bookcase  
Ganging**

**Recommended Tools**

- Power Drill
- Phillips Screw Bit

Package Contents	Qty.
• #8 x 1 1/4" Screws	per order

**NATIONAL**

Furniture with Personality™

Telephone 800.482.1717  
 Fax 812.482.8800  
 www.nationalonline.com

Form #NAIEBB  
 Part #1560997

Printed in U.S.A  
 © 2001 Kimball International, Inc.

Proper product installation, in accordance with these instructions, is the responsibility of the installing agent. If you have any questions concerning these instructions, please call National Customer Service.