

**Note:** Each door unit is provided with fully adjustable and removeable hinges. Before adjusting the hinges, the unit **MUST** be leveled.

Assembly Instructions

**ESCALADE SERIES  
Hinges**

**Recommended Tools**

- Phillips screwdriver

**1 Side-to-Side Adjustment:**  
To adjust a door from side-to-side, locate the adjusting screw as shown. The total adjustment (travel) possible is approximately 1/4" (Figure A).

**2 Up-Down Adjustment:**  
To adjust a door up or down, locate the two (2) hinge mounting plate screws as shown. Loosen both screws in EACH mounting plate and manually adjust the door's location. Re-tighten ALL the screws. The total adjustment (travel) possible is approximately 5/32" (Figure B).

Figure A

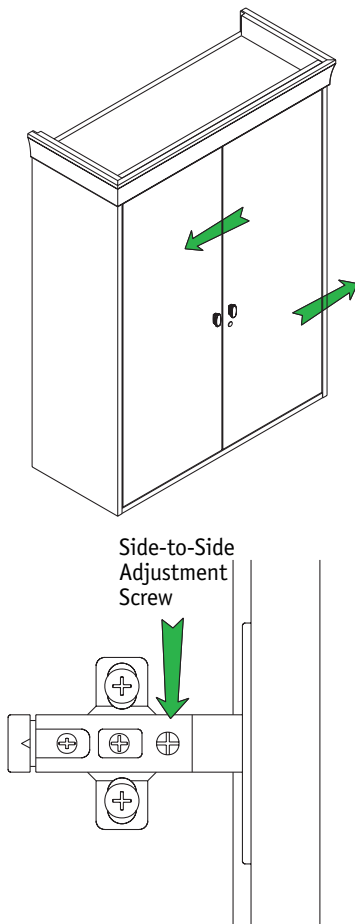
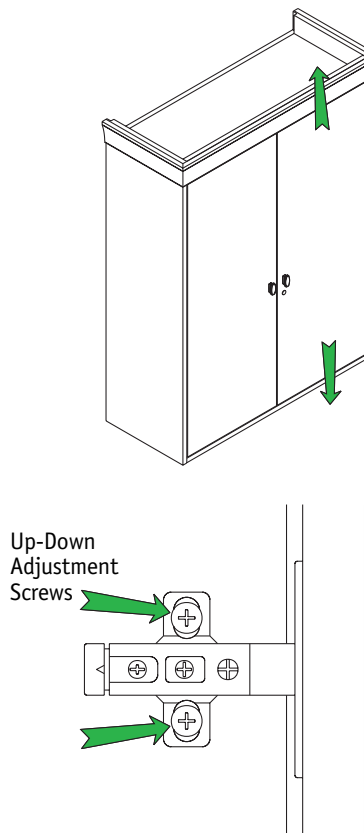


Figure B



Package Contents	Qty.
• (none)	

**NATIONAL**  
Furniture with Personality™

Telephone 800.482.1717  
Fax 812.482.8800  
www.nationalonline.com

Form #NAIEH  
Part #1560985

Printed in U.S.A.  
© 2001 Kimball International, Inc.

Proper product installation, in accordance with these instructions, is the responsibility of the installing agent. If you have any questions concerning these instructions, please call National Customer Service.

Assembly Instructions

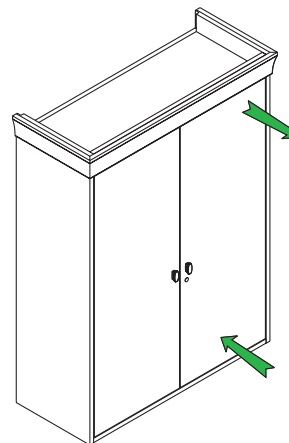
**ESCALADE SERIES  
Hinges**

**3**

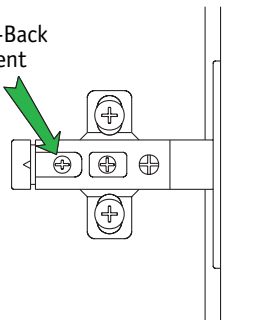
**Front-to-Back Adjustment:**

To adjust a door from front-to-back, locate the adjusting screw as shown. The total adjustment (travel) possible is approximately 1/8" (Figure C).

Figure C



Front-to-Back  
Adjustment  
Screw

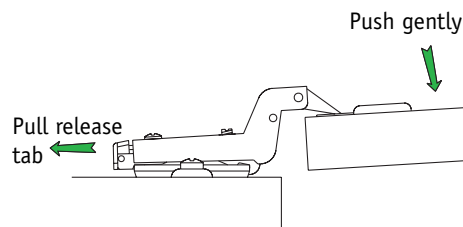


**4**

**Door Removal:**

To remove a hinge from it's mounting plate, pull the release tab located on the back of the hinge arm while gently pushing on the door to release the hinge arm as shown (Figure D).

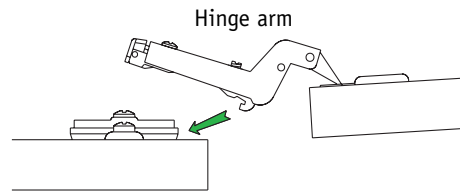
Figure D



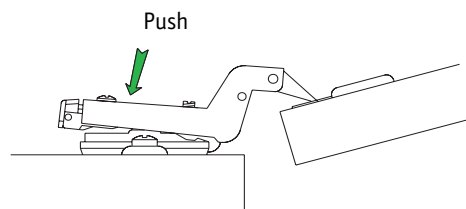
Proper product installation, in accordance with these instructions, is the responsibility of the installing agent. If you have any questions concerning these instructions, please call National Customer Service.

**ESCALADE SERIES  
Hinges****5****Door Installation:**

To install a hinge on a mounting plate, locate the hook on the hinge arm into the recesses on the under side of the hinge arm as shown (Figure E).

**Figure E****6**

With the front of the hinge arm hooked, press on the back of the hinge arm until the arm "snaps" and is locked into place by the hinge arm release tab (Figure F).

**Figure F**

Assembly Instructions

**ESCALADE SERIES**  
**Hinges**

Proper product installation, in accordance with these instructions, is the responsibility of the installing agent.  
If you have any questions concerning these instructions, please call National Customer Service.