

**ESCALADE SERIES
Lateral File Drawer
Removal**

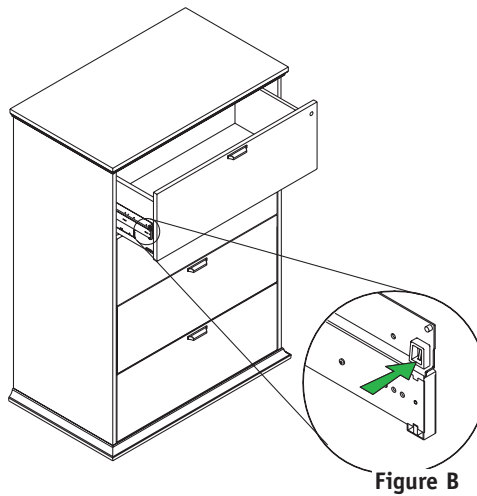
Recommended Tools

- (none)

1

To remove the drawers, unlock the unit and extend the TOP DRAWER forward (Figure A).

Figure A



2

Press the two quick disconnect release tabs and lift the drawer off the slide assembly (Figure B).

Note: Shipping screws must be removed from drawer suspensions before drawer can be removed.

3

No drawer can be removed without first untying the knot in their rear, top drawer. This string functions as an anti-tip mechanism. Refer to step 2 to remove next drawer.

NATIONAL

Furniture with Personality™

Telephone 800.482.1717
Fax 812.482.8800
www.nationalonline.com

Form #NAIELFDR
Part #1560984

Printed in U.S.A
© 2001 Kimball International, Inc.

Proper product installation, in accordance with these instructions, is the responsibility of the installing agent. If you have any questions concerning these instructions, please call National Customer Service.