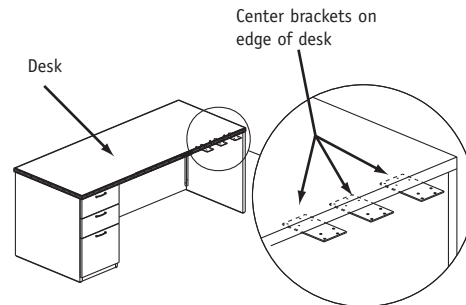


ASSEMBLY INSTRUCTIONS

1

Move desk or credenza into desired position. Level unit. Attach mounting brackets to underside of desk or credenza worksurface where it will attach with the return worksurface. Center the brackets with the edge of the worksurface. Attach brackets to desk using provided #10 x 5/8" panhead screws - four (4) per bracket (Figure A).

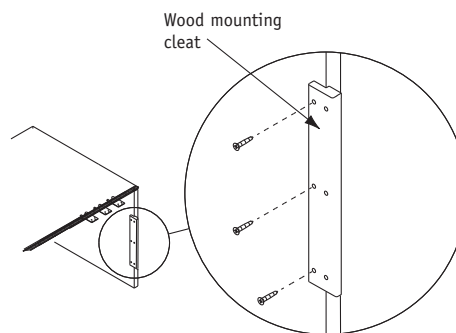
Figure A



2

Center wood mounting bracket on desk or credenza end panel and attach using three (3) #8 x 1 1/4" panhead screws provided (Figure B).

Figure B



CASEGOODS

FLOURISH Return Assembly

Recommended Tools

- Screw Gun
- Phillips Head Bit
- Level
- Square

Package Contents	Qty.
• Return	1
• Mounting Brackets	3
• Wood Mounting Rail	1
• #10 x 5/8" Panhead Screws	24
• #8 x 1 1/4" Panhead Screws	6

NATIONAL | Furniture with Personality™

Telephone 800.482.1717
Fax 812.482.8800
www.nationalofficefurniture.com

Part #2106950
Rev ,

Printed in U.S.A
© 2009 Kimball International, Inc.

Proper product installation, in accordance with these instructions, is the responsibility of the installing agent. If you have any questions concerning these instructions, please call National Customer Service.

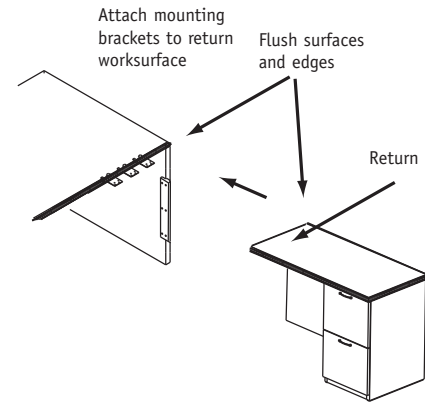
ASSEMBLY INSTRUCTIONS

CASEGOODS

FLOURISH Return Assembly

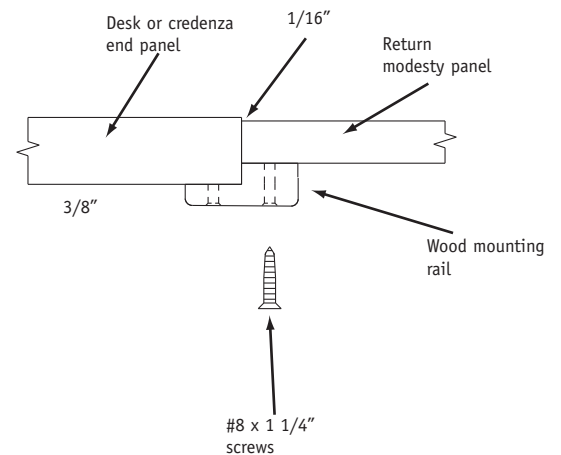
- 3** Move return into position. Place return worksurface on mounting brackets. Adjust return so both worksurfaces are flush, with no gaps. Attach return worksurface to mounting brackets with provided #10 x 5/8" panhead screws - four (4) per bracket (Figure C).

Figure C



- 4** If necessary, adjust return so that the desk or credenza end panel and the return modesty panel have no gap between them. Attach return modesty panel to wood mounting rail using three (3) - #8 x 1 1/4" panhead screws provided (Figure D).

Figure D



REMEMBER: When the wood mounting rail is installed correctly, the return modesty panel is inset 1/16" from the desk or credenza end panel.