

**Lauderdale™
Bullet Unit with and
without Modesty
Panel**

Recommended Tools

- Screwdriver
- Level

Package Contents	Qty.
• Bullet Worksurface	1
• End Panel	1
• Support Panel (if no modesty panel)	1
• Modesty Panel (if required)	1
• T-bracket (if no modesty)	1
• Leg Collar (if required)	1
• Wood Screws	36

NATIONAL
Furniture with Personality®

Telephone 800.482.1717
Fax 812.482.8800
www.nationalonline.com

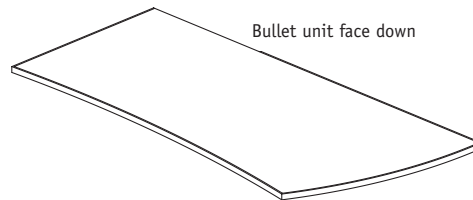
Part #7377006

Printed in U.S.A
© 2005 Kimball International, Inc.

1

Turn bullet worksurface face down on a smooth, solid surface. Make sure not to mar the worksurface (Figure A).

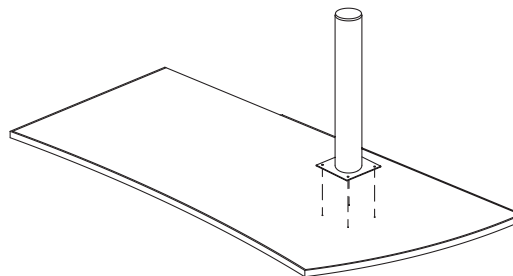
Figure A



2

Attach column leg to underside of worksurface using screws provided with leg (Figure B).

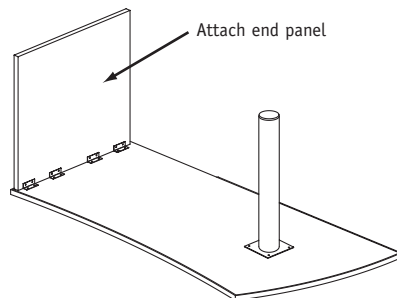
Figure B



3

Attach end panel to worksurface by inserting provided screws through brackets on panel and into pre-drilled holes in worksurface (Figure C).

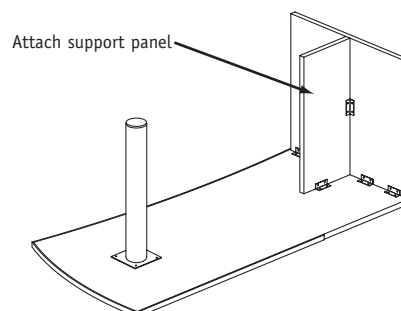
Figure C



4

If unit will not have a modesty panel, attach support panel to worksurface and end panel by inserting provided screws through brackets on support panel and into pre-drilled holes in worksurface and end panel. Tighten all screws securely (Figure D).

Figure D

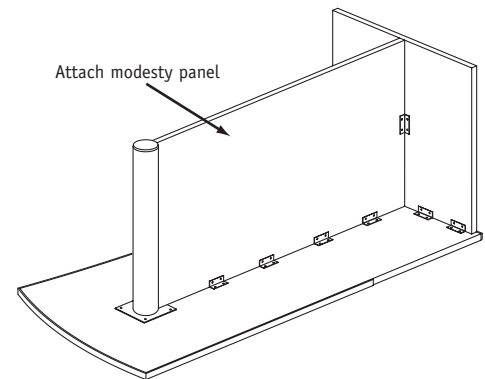


Proper product installation, in accordance with these instructions, is the responsibility of the installing agent. If you have any questions concerning these instructions, please call National Customer Service.

**Lauderdale™
Bullet Unit with and
without Modesty
Panel**

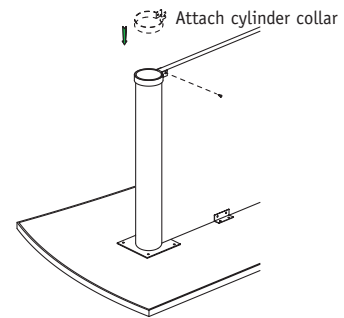
5 If unit has a modesty panel, attach modesty panel to worksurface and end panel by inserting provided screws through brackets in modesty panel and into pre-drilled holes in worksurface and end panel. Tighten all screws securely (Figure D).

Figure E



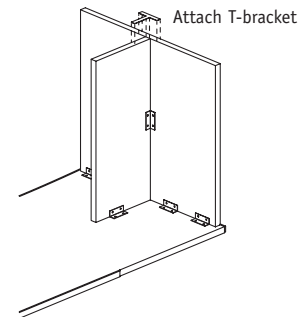
6 Slide leg collar over column leg and attach to modesty panel with screw provided (Figure F).

Figure F



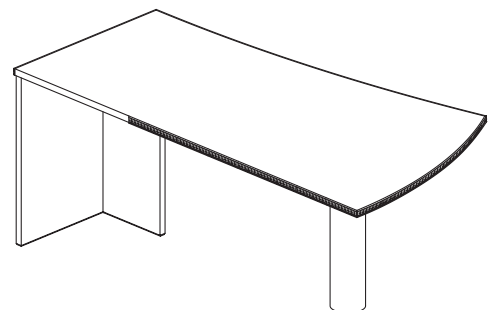
7 If unit has no modesty panel, attach T-bracket to intersection of end panel and support panel by using the screws provided (Figure G).

Figure G



8 Carefully turn unit upright into final position. Level unit (Figure H).

Figure H



Proper product installation, in accordance with these instructions, is the responsibility of the installing agent. If you have any questions concerning these instructions, please call National Customer Service.