

NOTE: The CRT is not a free-standing unit. It MUST be attached to a return. It is recommended that more than one person be used to assemble and move the CRT.

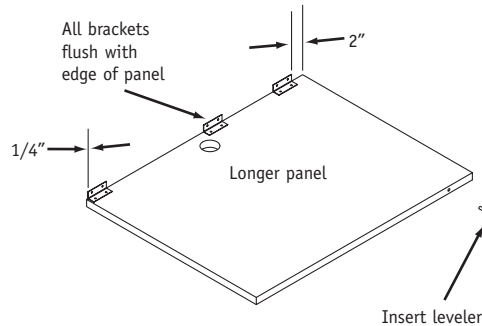
Assembly Instructions

**Lauderdale™
Corner (CRT) Unit**

1

Place the larger end panel face down on a smooth, solid surface. Attach three (3) L-brackets to the panel using two (2) #8 x 5/8" screws per bracket at the locations shown. All brackets must be flush with the top edge of the panel. Insert the leg leveler into the bottom of the panel (Figure A).

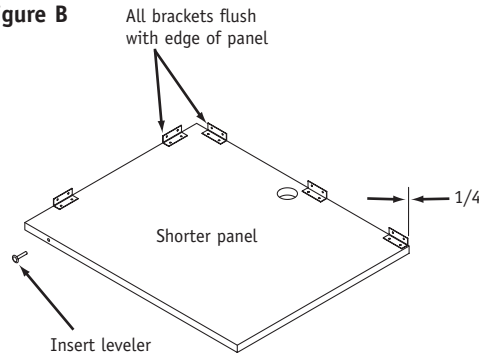
Figure A



2

Place the shorter end panel face down on a smooth, solid surface. Attach five (5) L-brackets to the panel using two (2) #8 x 5/8" screws per bracket at the locations shown. All brackets must be flush with the edges of the panel. Insert the leg leveler into the bottom of the panel (Figure B).

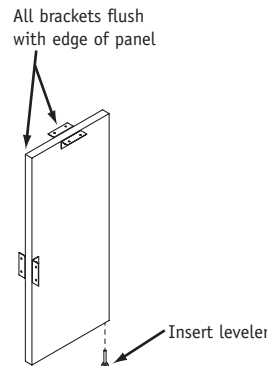
Figure B



3

Attach four (4) L-brackets to each support panel using two (2) #8 x 5/8" screws per brackets at the locations shown. Insert a leg leveler into the bottom of each panel (Figure C).

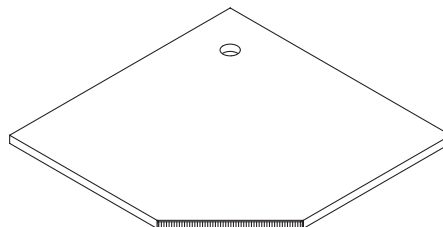
Figure C



4

Place the CRT worksurface face down on a smooth, solid surface (Figure D).

Figure D



Recommended Tools

- Electric Screwdriver
- Tape Measure or Ruler
- Square
- Level

Package Contents

	Qty.
• Worksurface	1
• Larger End Panel	1
• Shorter End Panel	1
• Support Panels	2
• L-Brackets	16
• Flat Brackets	4
• #8 x 5/8" Panhead Screws	96



Telephone 800.482.1717
Fax 812.482.8800
www.nationalonline.com

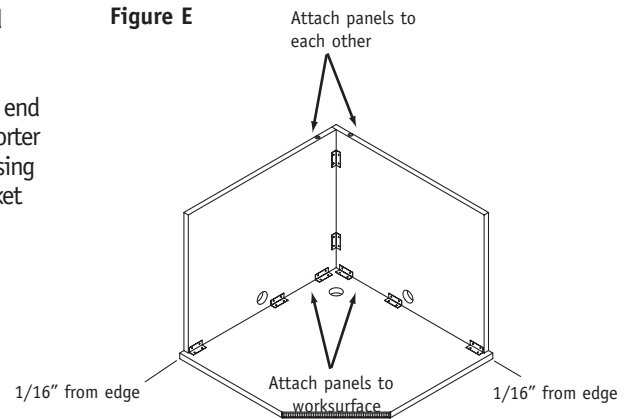
Part #7377008

Printed in U.S.A
© 2005 Kimball International, Inc.

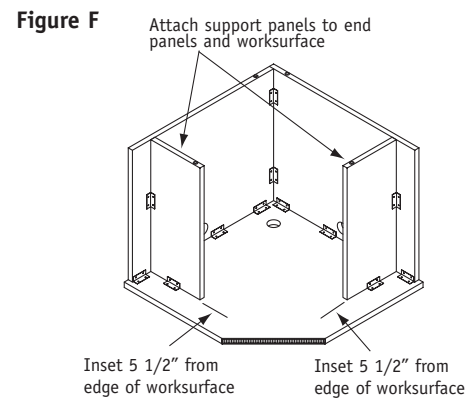
Proper product installation, in accordance with these instructions, is the responsibility of the installing agent. If you have any questions concerning these instructions, please call National Customer Service.

Lauderdale™
Corner Unit

- 5** Place end panels on worksurface and position 1/16" from back edges of worksurface. Worksurface will extend beyond outer ends of panels. Attach end panels to worksurface and attach shorter end panel to the longer end panel using two (2) #8 x 5/8" screws per L-bracket (Figure E).



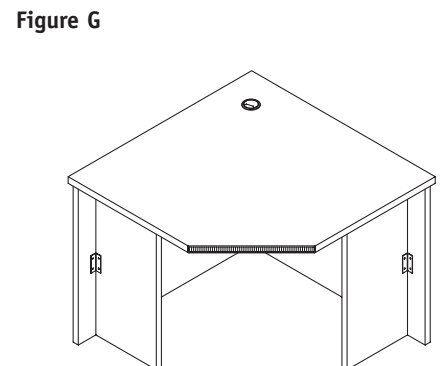
- 6** Inset each support panel 5 1/2" from the edge of the worksurface. Attach each support panel to its matching end panel and to the worksurface using two (2) #8 x 5/8" screws per bracket (Figure F).



- 7** Firmly re-tighten all screws then carefully turn assembled CRT upright (Figure G).

NOTE: The following steps describe the attachment of returns to the CRT. Four of the required flat brackets are supplied with the CRT hardware. The remaining required flat brackets are supplied with the return hardware.

NOTE: Each return will have a supplied wood mounting bracket and screws. The wood mounting bracket is used when attaching the return to a desk.

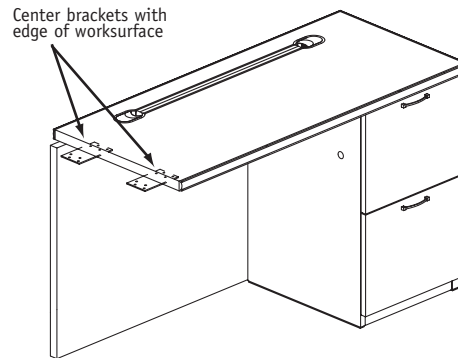


Lauderdale™
Corner (CRT) Unit

8

Mount two (2) flat brackets to the under side of each return worksurface. Center the brackets with the edge of the worksurface. Attach each bracket with four (4) #8 x 5/8" screws (Figure H).

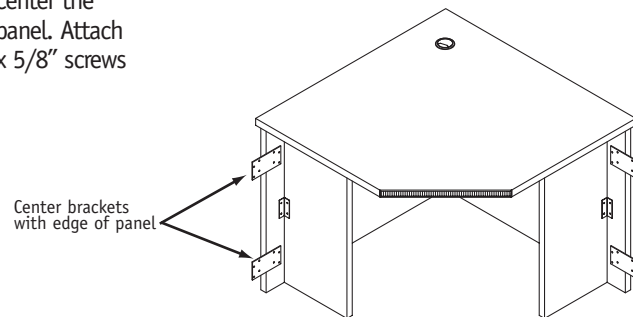
Figure H



9

Mount two (2) flat brackets to the inside of each end panel of the CRT. Center the brackets with the edge of the panel. Attach each bracket with four (4) #8 x 5/8" screws (Figure I).

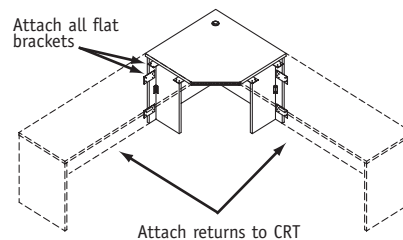
Figure I



10

Move the CRT to its desired location. Slide each return into position against the CRT, making sure all flat brackets engage properly. Make sure all worksurfaces and panels are flush with no gaps. Attach all brackets using four (4) #8 x 5/8" screws per bracket (Figure J).

Figure J



Proper product installation, in accordance with these instructions, is the responsibility of the installing agent. If you have any questions concerning these instructions, please call National Customer Service.