

**Lauderdale™
Occasional Tables**

Recommended Tools

- Socket Wrench
- 3/4" Socket
- Adjustable Wrench

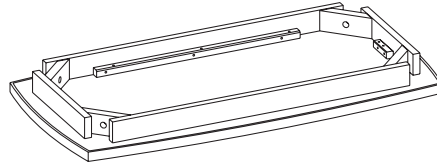
Package Contents	Qty.
• Table	1
• Table Legs with Washer, Lock Washer and Nut	4

NOTE: This instruction shows the Lauderdale Magazine Table assembly as an example. This instruction can also be applied to end table assembly. For safety, and to avoid damage to the unit, it is recommended that more than one person be used to assemble and move the table.

1

Carefully uncarton and place worksurface face down on a smooth, clean, soft surface (Figure A).

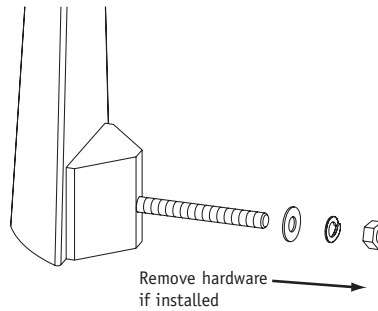
Figure A



2

If previously installed, remove the nut, lock washer, and washer from the lag bolt on each leg (Figure B).

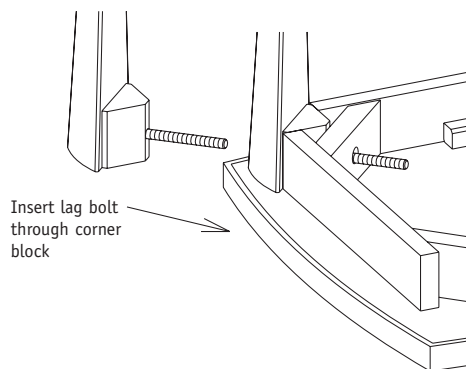
Figure B



3

Insert the lag bolt on one leg through the hole in one corner block on the worksurface (Figure C).

Figure C



NATIONAL

Furniture with Personality®

Telephone 800.482.1717
Fax 812.482.8800
www.nationalonline.com

Part #7377001

Printed in U.S.A
© 2005 Kimball International, Inc.

Proper product installation, in accordance with these instructions, is the responsibility of the installing agent. If you have any questions concerning these instructions, please call National Customer Service.

CASEGOODS

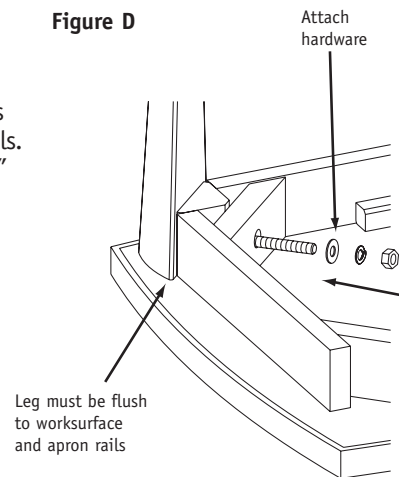
Assembly Instructions

Lauderdale™ Occasional Tables

4

Secure the leg to the table by installing the hardware in the following order: washer, lock washer, nut - to the inside of the corner block. Make sure the leg is perpendicular and flush to the apron rails. Tighten the nut firmly by using the 3/4" socket wrench, but do not over-tighten (Figure D).

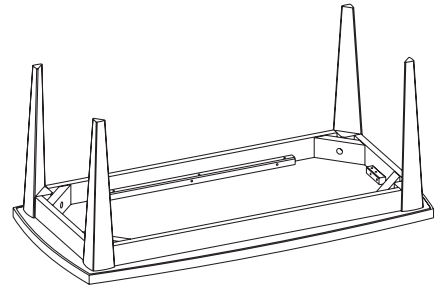
Figure D



5

Refer to Steps 3 and 4 to install all remaining legs (Figure E).

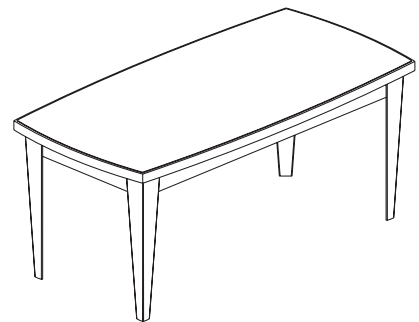
Figure E



6

After all legs are installed, carefully turn table to the upright position. If the table displays a swaying motion, then one or more of the legs are not properly seated in their locations. Turn the table back over on the soft surface and re-check all legs to make sure they are perpendicular and flush to the apron rails and that all fasteners are properly installed and tightened (Figure F)

Figure F



Proper product installation, in accordance with these instructions, is the responsibility of the installing agent. If you have any questions concerning these instructions, please call National Customer Service.