

**Lauderdale™  
Electrical/Data  
Pop-Up**

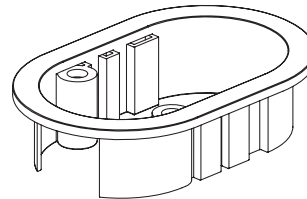
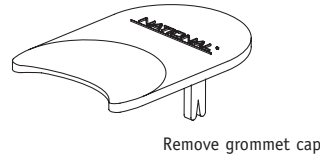
**Recommended Tools**  
none

<b>Package Contents</b>	<b>Qty.</b>
• Pop-Up Unit	1

**1**

Remove grommet cap (Figure A).

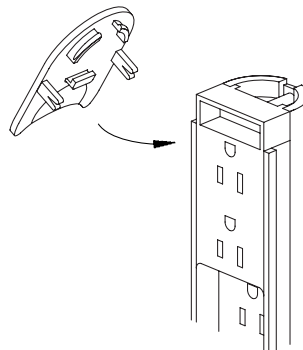
**Figure A**



**2**

The flange on the bottom of the grommet cap will hook into the recess at the top of the electrical/data pop-up (Figure B).

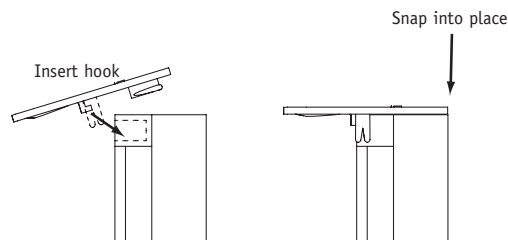
**Figure B**



**3**

Tilt the grommet cap slightly. Hook the flange into the recess in the pop-up. Rotate the rear portions of the cap downward and snap it into place on top of the pop-up with hand pressure or slight tapping (Figure C).

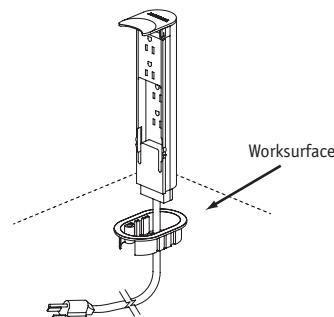
**Figure C**



**4**

Thread pop-up cabling through grommet (Figure D).

**Figure D**



**NATIONAL**  
Furniture with Personality®

Telephone 800.482.1717  
Fax 812.482.8800  
www.nationalonline.com

Part #7377010

Printed in U.S.A.  
© 2005 Kimball International, Inc.

Proper product installation, in accordance with these instructions, is the responsibility of the installing agent. If you have any questions concerning these instructions, please call National Customer Service.

# CASEGOODS

Assembly Instructions

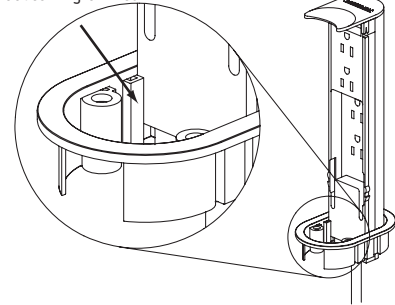
## Lauderdale™ Electrical/Data Pop-Up

**5**

Insert the extended sides of the pop-up into the grooves in the sides of the grommet (Figure E).

**Figure E**

Sides of pop-up engage grooves in grommet

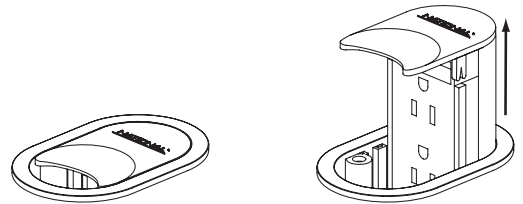


**6**

Push down on pop-up until grommet cap nests in grommet. Extended pop-up by pulling up on grommet cap until pop-up snaps into position (Figure F).

**Figure F**

Pull up to extend pop-up



Proper product installation, in accordance with these instructions, is the responsibility of the installing agent. If you have any questions concerning these instructions, please call National Customer Service.