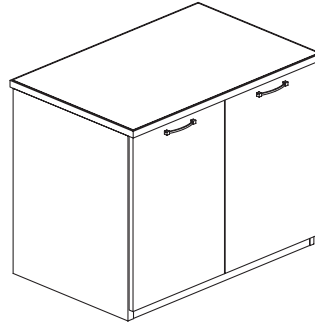


**NOTE:** It is recommended that more than one person be used to lift and assemble the units in the instruction.

1

Place the storage unit in its desired location (Figure A).

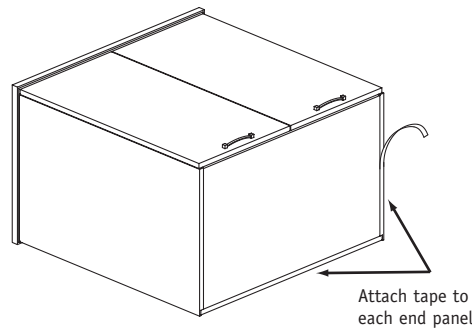
Figure A



2

Place the double door unit on its back on a smooth, solid surface. Attach a length of adhesive tape to the bottom of each side panel on the double door unit (Figure B).

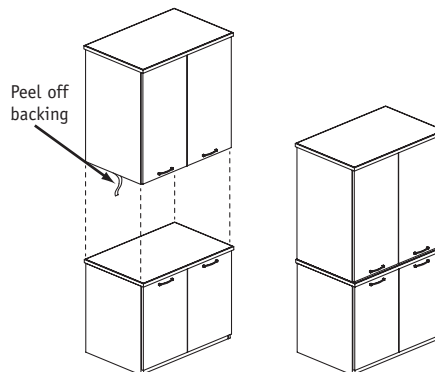
Figure B



3

Peel the protective backing from the adhesive tape. Carefully lift the double door unit and place it on the storage unit, making sure the side and back panels on the double door unit are flush with the side and back edges of the storage unit worksurface (Figure C).

Figure C



**CAUTION:** The tape contains a strong adhesive which instantly bonds to any surface.

Assembly Instructions

**Lauderdale™  
Storage Unit and  
Double Door Unit**

**Recommended Tools**

- Scissors or Utility Knife
- Ruler or Tape Measure

Package Contents	Qty.
• Storage Unit	1
• Double Door Unit	1
• Double Sided Tape	1 roll

**NATIONAL**  
Furniture with Personality®

Telephone 800.482.1717  
Fax 812.482.8800  
www.nationalonline.com

Part #7377009

Printed in U.S.A  
© 2005 Kimball International, Inc.

Proper product installation, in accordance with these instructions, is the responsibility of the installing agent. If you have any questions concerning these instructions, please call National Customer Service.