

## Remedy Seating

Model No. N79BB

Aluminum:

Steel:G

Zinc:

Glass:

Laminate:

Wood: L

Fabric: A

Foam: B

Plastic 1:

Plastic 2:

Plastic 3:

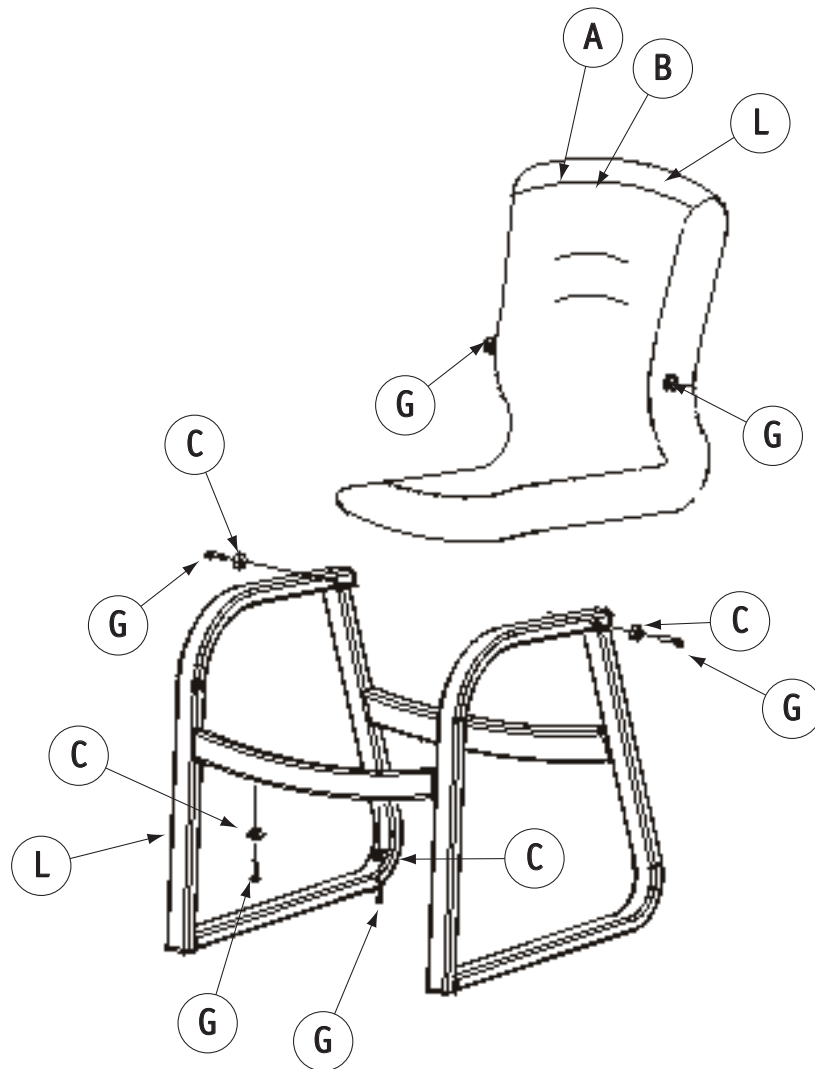
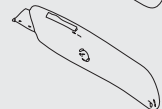
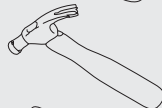
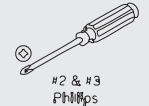
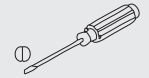
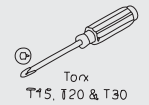
Plastic 4:

Plastic 5:

Plastic 6:

Plastic 7: C

### Recommended Tools



**NATIONAL** | Furniture with Personality™

Phone 800.482.1717

Fax 812.482.8800

[www.nationalonline.com](http://www.nationalonline.com)

A Unit of Kimball International

©Kimball International, Inc. 2008

Part No. 2081960