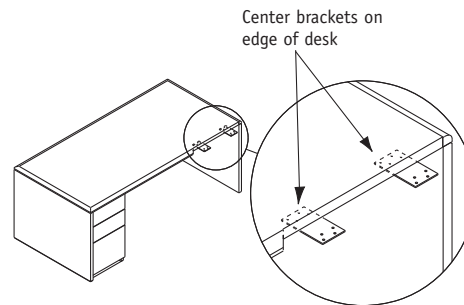


## ASSEMBLY INSTRUCTIONS

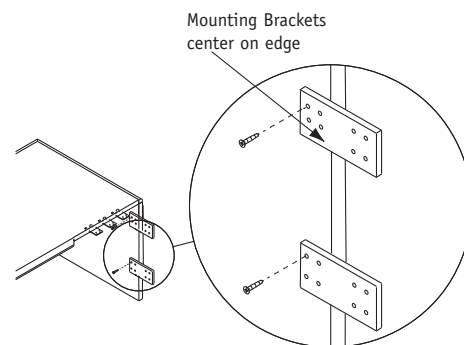
**1** Move desk or credenza into desired position. Level unit. Attach mounting brackets to underside of desk or credenza worksurface where it will attach with the return worksurface. Center the brackets with the edge of the worksurface. Attach brackets to desk using provided #10 x 3/4" panhead screws - four (4) per bracket (Figure A).

Figure A



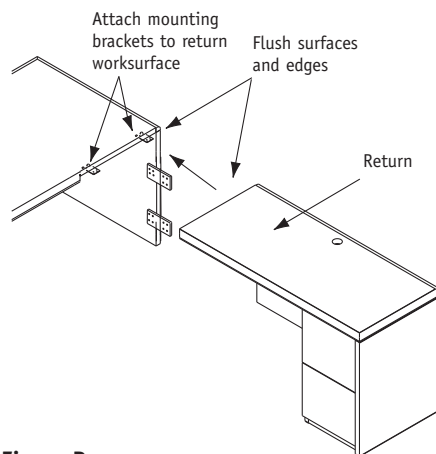
**2** Center brackets on desk or credenza end panel and attach using #10 x 3/4" panhead screws- four (4) per bracket (Figure B).

Figure B



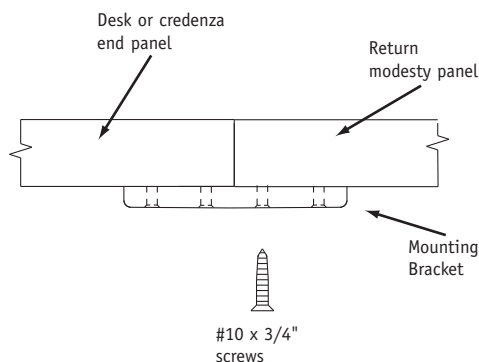
**3** Move return into position. Place return worksurface on mounting brackets. Adjust return so both worksurfaces are flush, with no gaps. Attach return worksurface to mounting brackets with provided #10 x 3/4" panhead screws - four (4) per bracket (Figure C).

Figure C



**4** Attach return modesty panel to mounting brackets using #10 x 3/4" panhead screws- four (4) per bracket (Figure D).

Figure D



CASEGOODS

Roosevelt™  
Return Assembly

### Recommended Tools

- Screw Gun
- Phillips Head Bit
- Level
- Square

Package Contents	Qty.
• Return	1
• Mounting Brackets	4
• #10 x 3/4" Panhead Screws	32

NATIONAL™

Telephone 800.482.1717  
Fax 812.482.8800  
www.nationalonline.com

Part #2195767  
Rev

Printed in U.S.A.  
© 2009 Kimball International, Inc.

Proper product installation, in accordance with these instructions, is the responsibility of the installing agent. If you have any questions concerning these instructions, please call National Customer Service.