

Assembly Instructions

Ganging Strap for Kite® and WaveWorks® Tables

Recommended Tools

- Phillips Screwdriver
- 1/8" bit (for WaveWorks mounting)

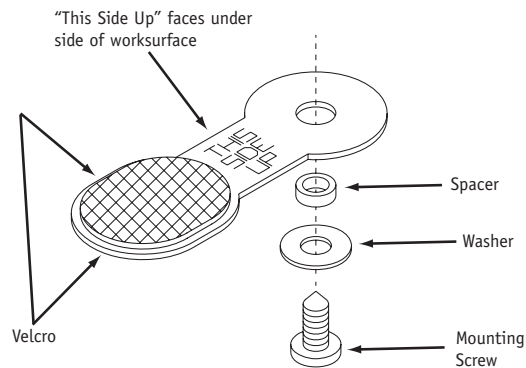
Package Contents

| | Qty. |
|-------------------|-------------|
| • Ganging Straps | 6 per kit |
| • Mounting Screws | 1 per strap |
| • Spacer | 6 per kit |
| • Washer | 6 per kit |

1

The ganging strap consists of a "figure 8" shape with velcro on both sides of one end. It attaches with a provided spacer, washer, and mounting screw (Figure A).

Figure A



2

Carefully turn the table on its side.

3

KITE®

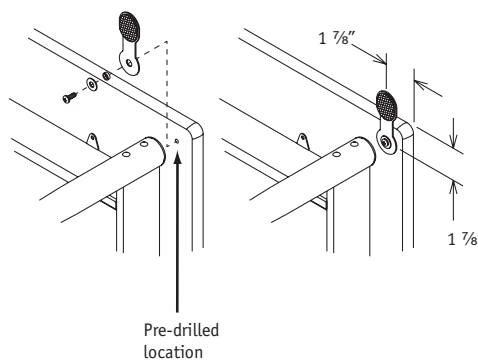
The underside of each worksurface in the Kite table series has pre-drilled mounting holes for locating the ganging straps. Insert a spacer into the hole in each ganging strap. Make sure the side of the strap with "This Side Up" faces the underside of the worksurface. Attach a ganging strap at each pre-drilled location with provided washers and mounting screws (Figure B).

NOTE: Some tables will have 4 straps and some will have 6, depending on the shape and size of the table. Each kit contains 6, the maximum number to be utilized with a Dragon (rectangular) table.

WAVEWORKS®

The ganging straps can be attached to WaveWorks tables by drilling a 1/8" pilot hole at the corner dimensions shown in Figure B.

Figure B



NATIONAL

Furniture with Personality®

Telephone 800.482.1717
 Fax 812.482.8800
 www.nationalonline.com

Part #1699202

Printed in U.S.A.
 © 2005 Kimball International, Inc.

Proper product installation, in accordance with these instructions, is the responsibility of the installing agent. If you have any questions concerning these instructions, please call National Customer Service.

T A B L E S

Assembly Instructions

Ganging Strap for Kite and WaveWorks Tables

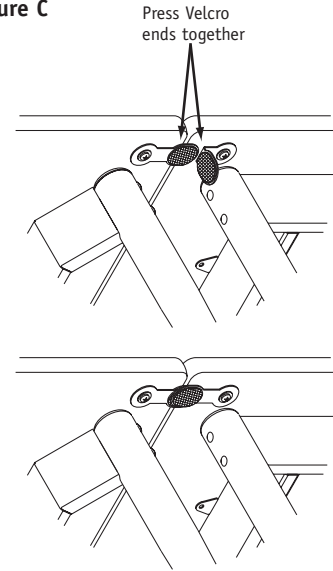
4

When all straps are attached, carefully return the table to its upright position.

5

To use ganging straps, move tables into position next to each other. Tables must be positioned so the straps on one table can reach the attachment points of the straps on any adjacent table. Turn straps towards each other and firmly press Velcro ends together (Figure C).

Figure C



6

(Figure D) and (Figure E) show examples of ganged tables.

Figure D

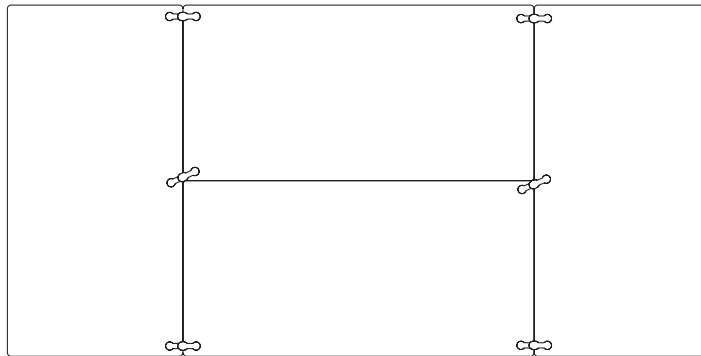
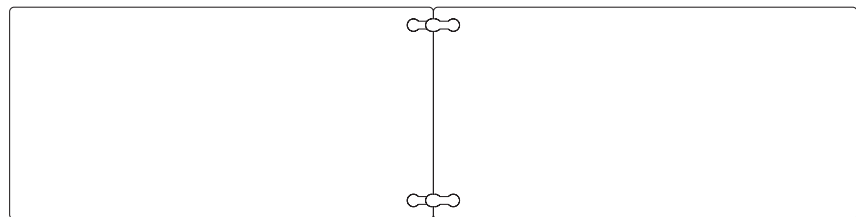


Figure E



Proper product installation, in accordance with these instructions, is the responsibility of the installing agent. If you have any questions concerning these instructions, please call National Customer Service.