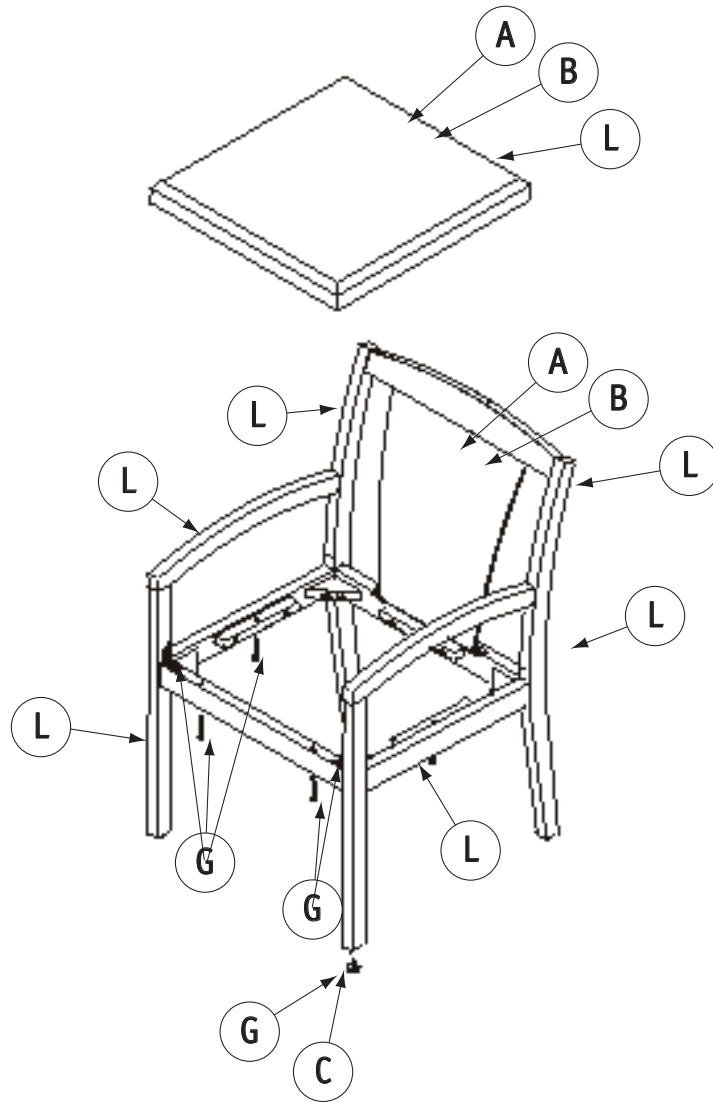


Timberlane Seating

Model No. 39B-GWXX, 39E-GWXX



Aluminum:

Steel:G

Zinc:

Glass:

Laminate:

Wood: L

Fabric: A

Foam: B

Plastic 1:

Plastic 2:

Plastic 3:

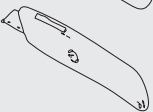
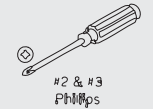
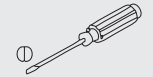
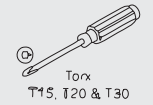
Plastic 4:

Plastic 5:

Plastic 6:

Plastic 7: C

Recommended Tools



NATIONAL | Furniture with Personality™

Phone 800.482.1717

Fax 812.482.8800

www.nationalonline.com

A Unit of Kimball International

©Kimball International, Inc. 2008

Part No. 2081968