

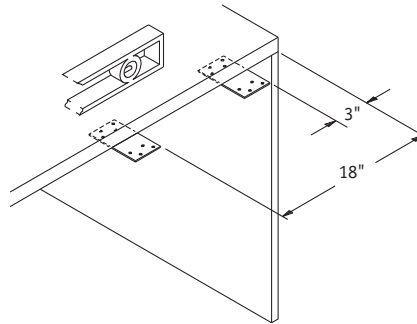
ASSEMBLY INSTRUCTIONS

1

Position and level the main unit in the desired location. Install two (2) flat brackets to the main unit using four (4) #10 x 1" Panhead screws per bracket (Figure A).

Note: To level, refer to the Leveling Assembly Instruction sheet, 2076621.

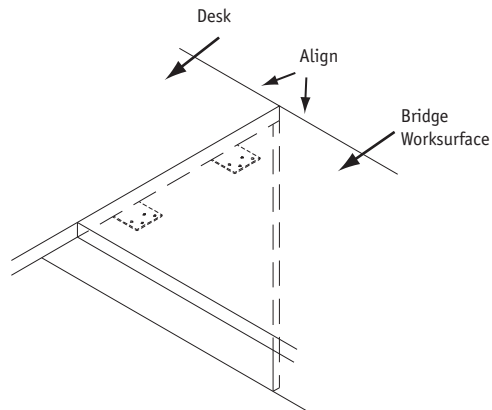
Figure A



2

Align the bridge worksurface to the main unit. Position the worksurfaces so the outer edges of the worksurface are flush and pull tight (Figure B).

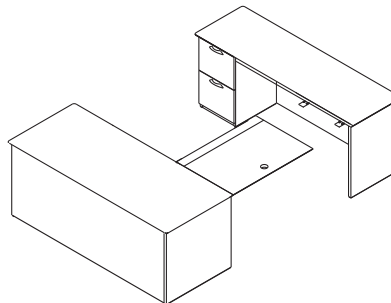
Figure B



3

Fasten Bridge worksurface to the flat brackets using four (4) #10 x 1" Panhead screws per bracket (Figure C).

Figure C



WaveWorks® Bridge with Hinged Modesty Panel

Recommended Tools

- Level
- Phillips Head Screwdriver
- Tape Measure

Package Contents	Qty.
• Bridge w/hinged modesty panel	1
• Flat Bracket	4
• #10 x 1" Panhead screws	8

NATIONAL

Furniture with Personality®

Telephone 800.482.1717
Fax 812.482.8800
www.nationalonline.com

Part #2048356

Printed in U.S.A.
© 2008 Kimball International, Inc.

Proper product installation, in accordance with these instructions, is the responsibility of the installing agent. If you have any questions concerning these instructions, please call National Customer Service.

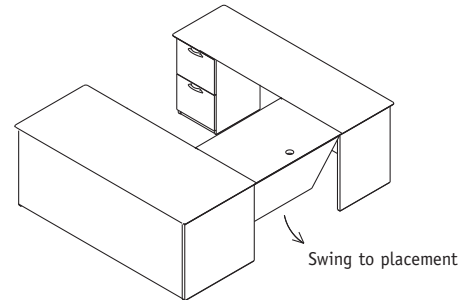
ASSEMBLY INSTRUCTIONS

WaveWorks® Bridge with Hinged Modesty Panel

4

Swing bridge modesty panel down to the vertical position (Figure D).

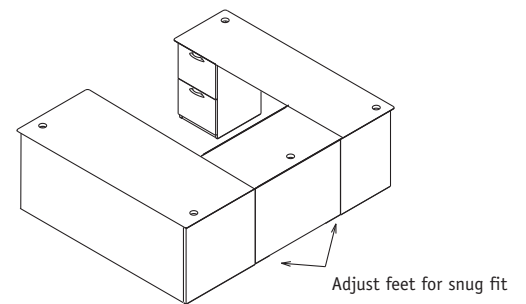
Figure D



5

Make sure modesty panel is flush with end panels of connecting components. Turn glide on bottom of modesty panel and tighten to the floor (Figure E).

Figure E



Proper product installation, in accordance with these instructions, is the responsibility of the installing agent. If you have any questions concerning these instructions, please call National Customer Service.