

ASSEMBLY INSTRUCTIONS

1

Typical pedestal location for desk, credenza and returns without modesty panels.

Note: For pedestal location of returns with modesty panels, refer to Component Return Assembly Instruction sheet.

2

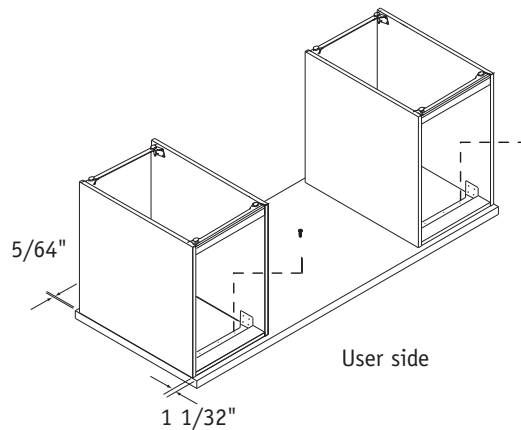
Remove drawers from pedestals, then position pedestals upside-down on underside of worksurface. To install, place worksurface on a clean soft surface, underside facing up.

Note: Make sure drawers are returned to their original location.

3

Attach pedestal to underside of top holding a margin of $5/64$ " on each side and $1\ 1/32$ " from the user edge to the pedestal rail. Fasten pedestals to top thru metal stretcher and L brackets using Four (4) #8 x 1" Pan Head screws two (2) through the metal stretcher, one (1) per L bracket (Figure A).

Figure A



WaveWorks® Component Pedestal

Recommended Tools

- Square
- Phillips Head Screwdriver
- Tape Measure

Package Contents	Qty.
• Pedestal	1
• #8 x 1" Panhead screw	4 per Pedestal

NATIONAL

Furniture with Personality®

Telephone 800.482.1717
Fax 812.482.8800
www.nationalonline.com

Part #2076625

Printed in U.S.A.
© 2008 Kimball International, Inc.

Proper product installation, in accordance with these instructions, is the responsibility of the installing agent. If you have any questions concerning these instructions, please call National Customer Care Teams.