

## ASSEMBLY INSTRUCTIONS

**Note:** Level unit in accordance with the Leveling Assembly Instruction sheet, Form #2076621, before adjusting Drawer Fronts.

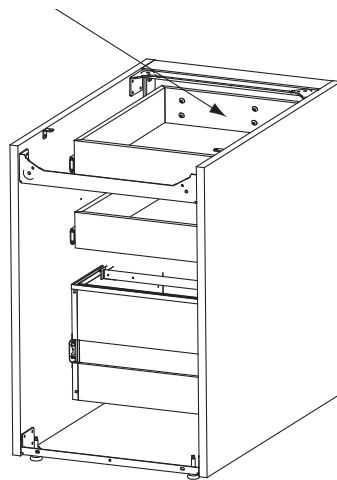
### WaveWorks® Drawer Front Adjustment

**1**

Open drawer and locate the four (4) Deerwood screws attaching the Drawer Front to the Drawer Box (Figure A).

**Figure A**

Deerwood  
Screws (4)



**Note:** Lateral File Drawer fronts use six (6) screws.

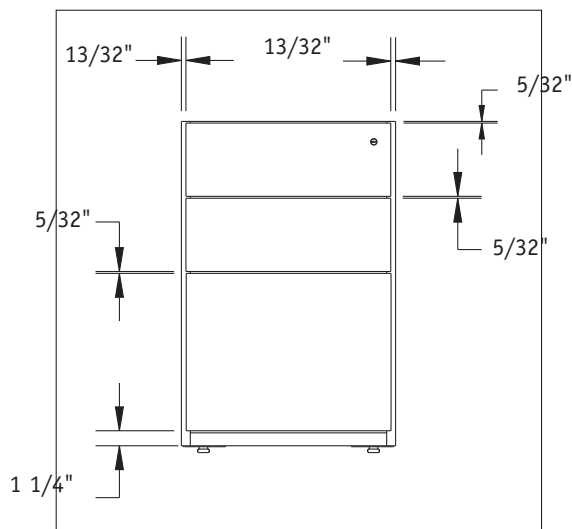
#### Recommended Tools

- Level
- Phillips Head Screwdriver
- Tape Measure

**2**

Loosen screws and align Drawer Fronts to the approximate locations shown; tighten screws. Repeat for other drawers in unit (Figure B).

**Figure B**



# NATIONAL

Furniture with Personality®

Telephone 800.482.1717  
Fax 812.482.8800  
www.nationalonline.com

Part #2076623

Printed in U.S.A.  
© 2008 Kimball International, Inc.

Proper product installation, in accordance with these instructions, is the responsibility of the installing agent. If you have any questions concerning these instructions, please call National Customer Care Teams.