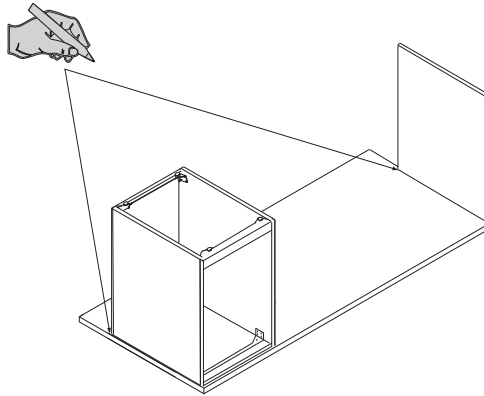


## ASSEMBLY INSTRUCTIONS

1

Carefully place worksurface upside down on a smooth, clean, soft surface. Remove the drawers from the pedestal. Locate where the pedestal and end panel will be placed Reference Assembly Instruction sheet #2010774. Create a mark on the back side of each on the bottom of the worksurface to locate the Modesty panel (Figure A).

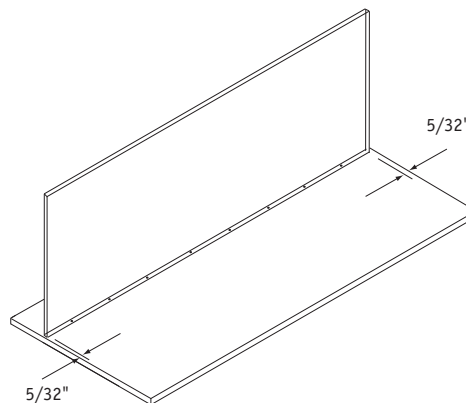
Figure A



2

Remove the pedestal and end panel, align the modesty panel with the marks made in step #1. **Note:** The flange with the holes should be placed on the underside of the worksurface. The modesty panel outside edge should be located 5/32" from each end of the worksurface edge. Attach with #10 x 1" panhead screws (Figure B).

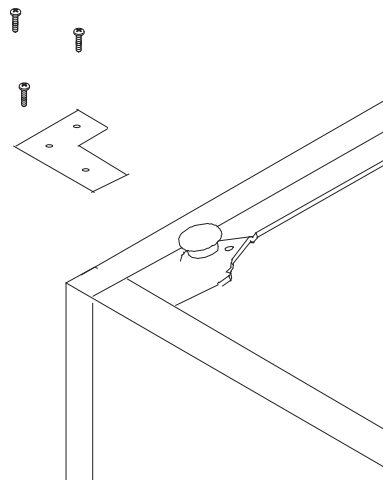
Figure B



3

Install the end panel and pedestal to the worksurface, reference Assembly instruction sheets 2010779, and 2010774. Install two (2) L brackets with three (3) Sheet Metal Screws each to both end panel and modesty panel (Figure C). Carefully turn unit upright and level.

Figure C



### WaveWorks® Metal Full Overlay Modesty Panel

#### Recommended Tools

- Phillips Head Screwdriver
- Tape Measure
- Level
- No.#2 Lead Pencil

#### Package Contents Qty.

- |                           |   |
|---------------------------|---|
| • Modesty panel           | 1 |
| • L Bracket               | 2 |
| • #10 x 1" Panhead screws | 8 |
| • Sheet Metal Screws      | 6 |

# NATIONAL

Furniture with Personality®

Telephone 800.482.1717  
Fax 812.482.8800  
www.nationalonline.com

Part #2071194

Printed in U.S.A.  
© 2008 Kimball International, Inc.

Proper product installation, in accordance with these instructions, is the responsibility of the installing agent. If you have any questions concerning these instructions, please call National Customer Service.