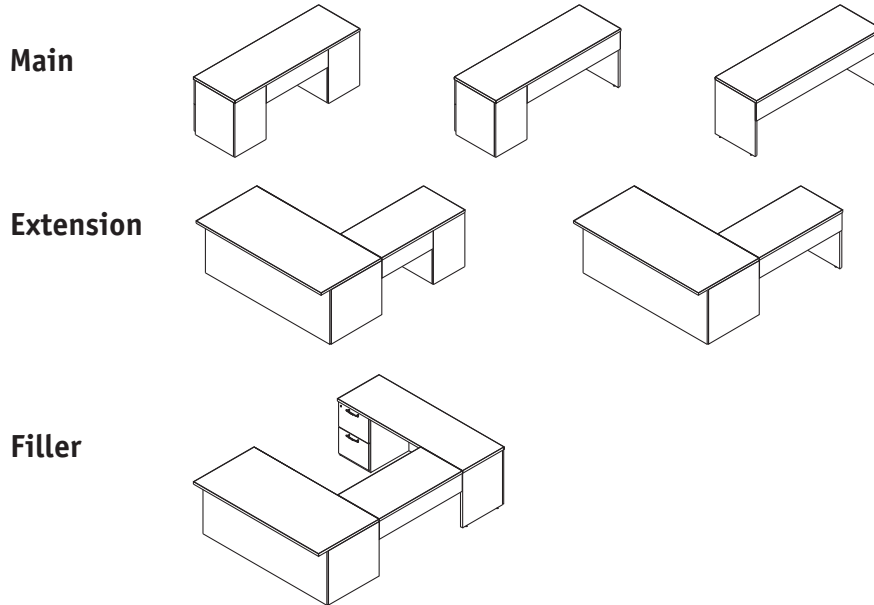


ASSEMBLY INSTRUCTIONS

The 1/3 Height Modesty Panel may be used as a Main, Extension or Filler panel as shown in the examples below. This Assembly Instruction sheet shows the installation of a Main Panel between two (2) Pedestals.

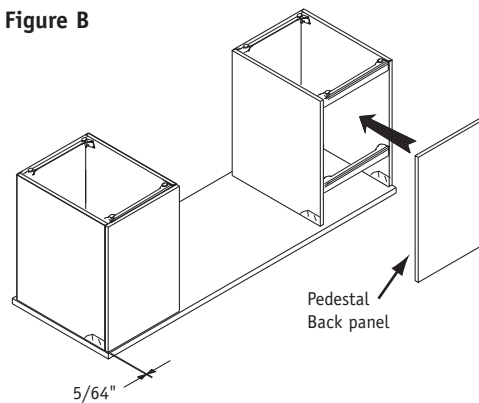
Figure A



1

Attach the Pedestals (as required) to the Worksurface as described in the Component Pedestal Assembly Instruction Sheet. Position the Back Panels on the back of each Pedestal approximately $5/64$ " from the End Panel. Attach the Back Panel to the Pedestal brackets using Five (5) #8 x $5/8$ " Pan Head Screws (Figure B).

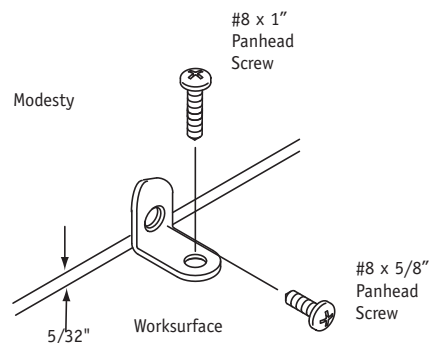
Figure B



2

Attach three (3) L brackets to the 1/3 Height Modesty Panel in the pilot holes with three (3) #8 x $5/8$ " panhead screws (Figure C).

Figure C



WaveWorks® 1/3 Height Modesty Panel

Recommended Tools

- Phillips Head Screwdriver
- Tape Measure

Package Contents Qty.

- | | |
|----------------------------|-----------|
| • 1/3 Height Modesty panel | 1 |
| • L Bracket | 1 |
| • #8 x 1" Panhead screws | Per Order |
| • #8 x 5/8" Panhead screws | Per Order |

NATIONAL

Furniture with Personality®

Telephone 800.482.1717
Fax 812.482.8800
www.nationalonline.com

Part #2048354

Printed in U.S.A
© 2008 Kimball International, Inc.

Proper product installation, in accordance with these instructions, is the responsibility of the installing agent. If you have any questions concerning these instructions, please call National Customer Service.

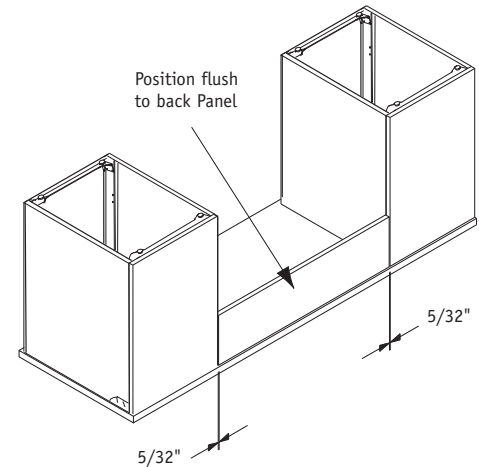
ASSEMBLY INSTRUCTIONS

WaveWorks® 1/3 Height Modesty Panel

3

Center the 1/3 Height Modesty Panel between and flush to the Back Panel faces. There should be a gap of approximately $5/32$ " on each side of the Modesty Panel (Figure D). Attach the 1/3 Height Modesty Panel to the Worksurface using the L-Brackets, and three (3) #8 x 1" panhead screws provided.

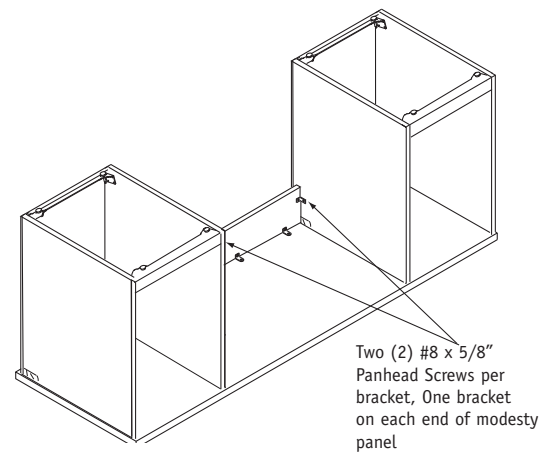
Figure D



4

Position one (1) "L" Bracket to each end of the 1/3 Height Modesty Panel and the Pedestal End Panel 2" from the bottom of the Modesty Panel. Attach using two (2) #8 x $5/8$ " Pan Head Screws per bracket (Figure E).

Figure E



Proper product installation, in accordance with these instructions, is the responsibility of the installing agent. If you have any questions concerning these instructions, please call National Customer Service.