

ASSEMBLY INSTRUCTIONS

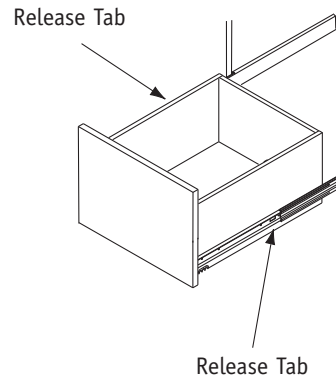
1

Extend the File Drawer to its full extension. Locate the drawer slide release tab, in the approximate location shown, on each side of the Drawer Box. Press tabs in and pull drawer straight out until slide drawer members disengage from cabinet members (Figure A).

2

To reinstall drawer, extend slide cabinet members. Note: Make sure chrome ball bearing member is also forward. Carefully align slide drawer members with cabinet members and gently push drawer closed. Check for proper alignment by looking at Drawer Front margins for spacing and squareness.

Figure A



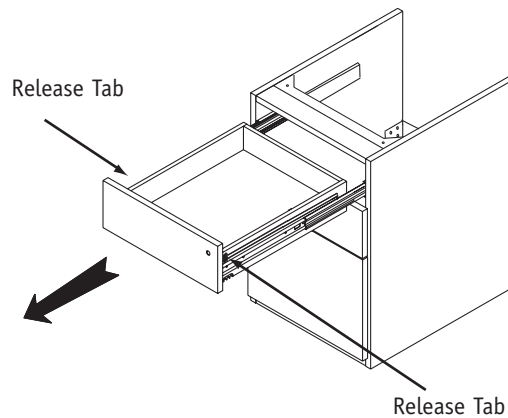
1

Box, Lateral, and Task Drawers extend out, locate the tabs on each side and press in and lift up on the front end to clear the tab and hooks (Figure A).

2

To reinstall drawer, pull out slides, slide drawer back until the bracket slides under the hooks. Push the front end down over the tabs to engage.

Figure B



WaveWorks® Pedestal Drawer Removal

Recommended Tools

- None

Package Contents

- None

Qty.

NATIONAL

Furniture with Personality®

Telephone 800.482.1717

Fax 812.482.8800

www.nationalonline.com

Part #2076627

Printed in U.S.A.

© 2008 Kimball International, Inc.

Proper product installation, in accordance with these instructions, is the responsibility of the installing agent. If you have any questions concerning these instructions, please call National Customer Care Teams.