

ASSEMBLY INSTRUCTIONS

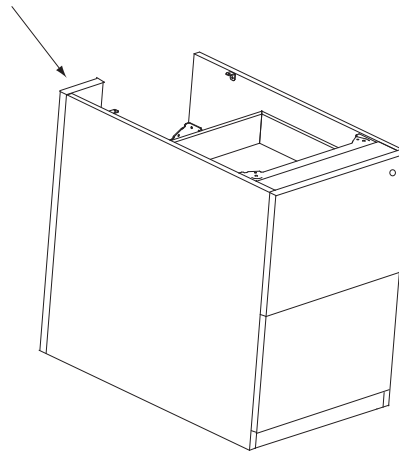
WaveWorks® Pedestal Filler Strip

1

A filler strip is used at the rear of a pedestal, lateral file or storage unit, when a back panel or modesty panel is not in use (Figure A).

Figure A

Filler Strip



Recommended Tools

- Tape Measure

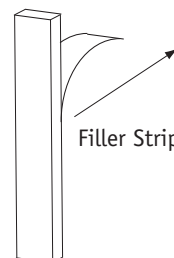
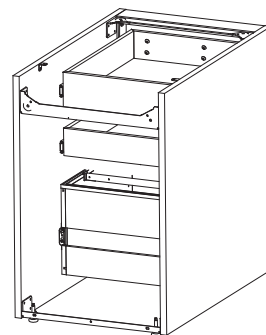
Package Contents

- | | |
|----------------|-----------|
| • Filler Strip | Qty.
1 |
|----------------|-----------|

2

Peel double face tape and attach filler strip to back edge of the end panel. Filler strip can be used on right or left side. Hold 5/64" from edge of filler strip to edge of end panel (Figure B).

Figure B



NATIONAL

Furniture with Personality®

Telephone 800.482.1717

Fax 812.482.8800

www.nationalonline.com

Part #2076629

Printed in U.S.A

© 2008 Kimball International, Inc.

Proper product installation, in accordance with these instructions, is the responsibility of the installing agent. If you have any questions concerning these instructions, please call National Customer Care Teams.