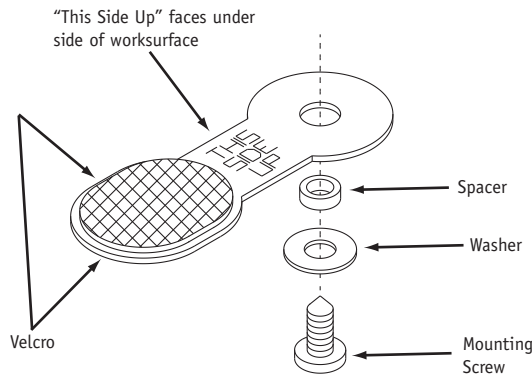


ASSEMBLY INSTRUCTIONS

1

The ganging strap consists of a "figure 8" shape with velcro on both sides of one end. It attaches with a provided spacer, washer, and mounting screw (Figure A).

Figure A



2

Carefully turn the table on its side.

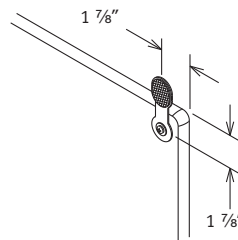
3

WAVEWORKS®

The ganging straps can be attached to WaveWorks tables by drilling a 1/8" pilot hole at the corner dimensions shown in Figure B.

NOTE: Some tables will have 4 straps and some will have 6, depending on the shape and size of the table. Each kit contains 6, the maximum number to be utilized with a Rectangular table.

Figure B



4

When all straps are attached, carefully return the table to its upright position.

WaveWorks® Tables Ganging Strap

Recommended Tools

- Phillips Screwdriver
- 1/8" bit

Package Contents

	Qty.
• Ganging Straps	6 per kit
• Mounting Screws	1 per strap
• Spacer	6 per kit
• Washer	6 per kit

NATIONAL

Furniture with Personality®

Telephone 800.482.1717
Fax 812.482.8800
www.nationalonline.com

Part #2048362

Printed in U.S.A.
© 2008 Kimball International, Inc.

Proper product installation, in accordance with these instructions, is the responsibility of the installing agent. If you have any questions concerning these instructions, please call National Customer Service.

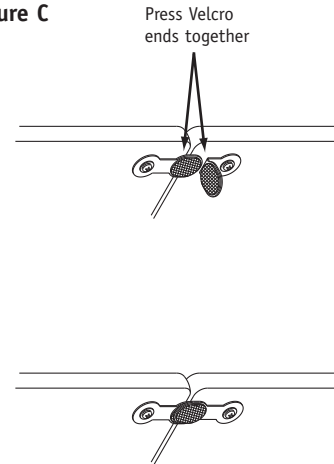
ASSEMBLY INSTRUCTIONS

WaveWorks® Tables Ganging Strap

5

To use ganging straps, move tables into position next to each other. Tables must be positioned so the straps on one table can reach the attachment points of the straps on any adjacent table. Turn straps towards each other and firmly press Velcro ends together (Figure C).

Figure C



6

(Figure D) and (Figure E) show examples of ganged tables.

Figure D

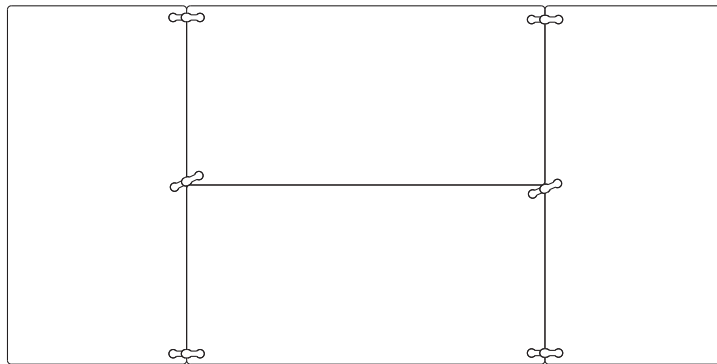


Figure E

