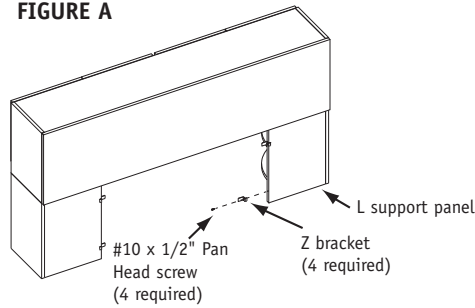


1

TBC Series

Locate the two (2) predrilled holes in each highback "L" support rear panel. Attach the two (2) "Z" brackets to each panel as shown using four (4) #10 x 1/2" Pan Head Screws provided (Figure A).

FIGURE A

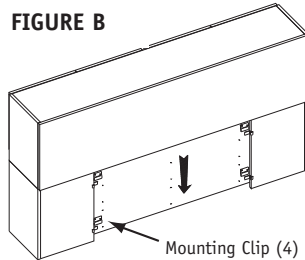


2

TBC Series

Center tack board with the opening of the 2" support and lower tack board until each mounting clip is firmly and squarely on the "Z" bracket (Figure B).

FIGURE B

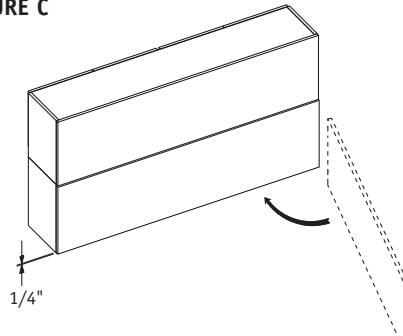


1

TBS Series

Center tack board against the back of the "L" supports and leave approximately a 1/4" gap between the bottom of the tack board and the bottom of the "L" support or worksurface (Figure C).

FIGURE C

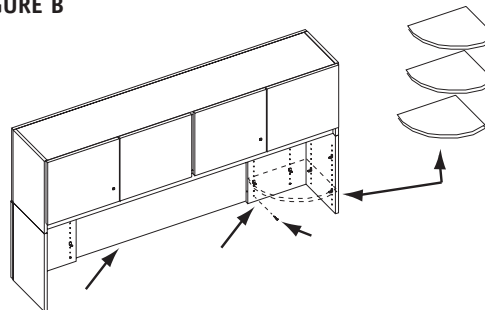


2

TBS Series

Support the tack board from behind the highback unit. Remove the four (4) shelves for ease of access to the predrilled holes in the "L" support rear panels. Attach the tack board using the eight (8) #8 x 1 1/2" flat head screws provided through any holes not used for shelf supports (Figure D).

FIGURE B



NOTE: The tack board contains a 1/8" hardboard core which MUST be penetrated by the screws. It is recommended that the screws be located at the maximum possible spacing.

Tack Board Placement and Mounting for TBC, TBS Series

Recommended Tools

- Phillips Screwdriver
- Tape Measure

Package Contents	Qty.
TBC Series	
• Tack Board	1
• Z brackets	4
• #10 x 1/2" Pan Head Wood Screws	4
TBS Series	
• Tack Board	1
• #8 x 1 1/2" Flat Head Wood Screws	8

NATIONAL

Furniture with Personality®

Telephone 800.482.1717
 Fax 812.482.8800
 www.NationalOfficeFurniture.com

Part #1399220
 Rev,-

Printed in U.S.A
 © 2010 Kimball International, Inc.

Proper product installation, in accordance with these instructions, is the responsibility of the installing agent. If you have any questions concerning these instructions, please call National Customer Service.