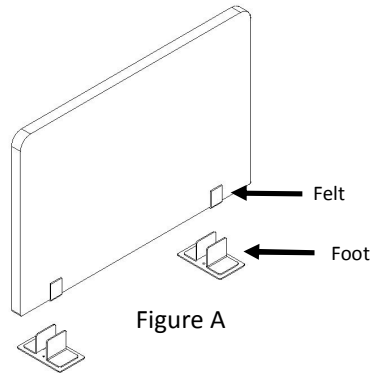


## Assembly Instruction

- 1 Remove fabric panel from plastic bag. Place (2) metal holders on felt pads on fabric panel. See Figure A.

**Note:** The 42" and 48" units will have (3) holders

**Note:** The 54", 60", 66", and 72" units will have (4) holders.



- 2 Position the privacy screen either on a single unit, as shown in Figure B, or between two units. When the screen is positioned between 2 units, divide the feet to set on each unit (Figure C).

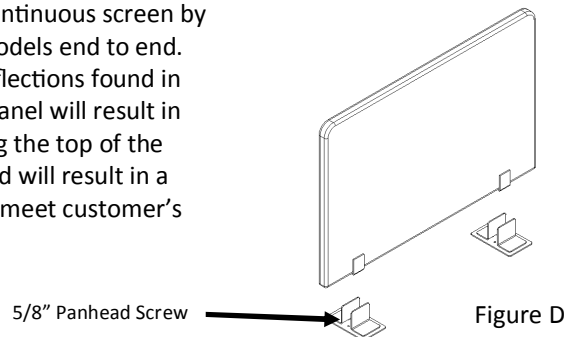
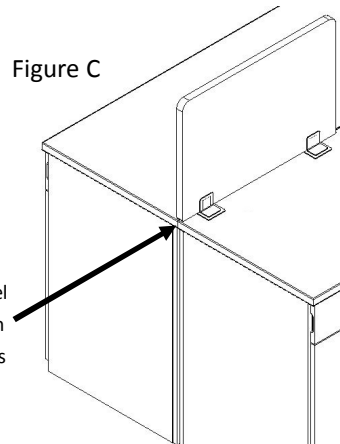
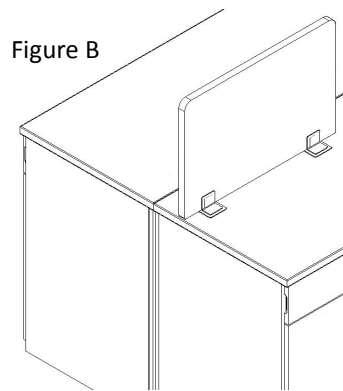
**Note:** When sitting between 2 units, ensure both units are flush and level.

- 3 If the installation will be permanent, remove the (4) rubber pads from the bottom of each foot. Install (1) 5/8" panhead Phillips screw through the bottom plate of each foot into the surface. Feet should be installed so they grip the felt on the panel. See Figure D.

**Caution:** Installing the screws will deface the surface.

**Note:** Do not store or place the panel in an upright position. Store flat. Improper storage could cause a permanent bow to set into the panel.

- 4 **Note:** Privacy screen should not be used to create a continuous screen by placing multiple models end to end. Tolerances and deflections found in the unsupported panel will result in misalignment along the top of the adjacent panels and will result in a visual that will not meet customer's expectations.



### Accessories

#### Set On Fabric Privacy Panel

### Recommended Tools

- Level
- Drill
- 2" long #2 Phillips Bit

### Package Contents.....Qty

- Fabric Panel 1
- Set-On Feet Brackets 2-4
- 5/8" Phillips Screws 2-4

# NATIONAL

Furniture with Personality<sup>®</sup>

Telephone 800.482.1717  
Fax 812.482.8800  
[www.NationalOfficeFurniture.com](http://www.NationalOfficeFurniture.com)

Part # 2678414  
Rev, B

Printed in U.S.A.  
© 2015 Kimball International, Inc.

Proper product installation, in accordance with these instructions, is the responsibility of the installing agent. If you have any questions concerning these instructions, please call National Customer Service 800.482.1717.