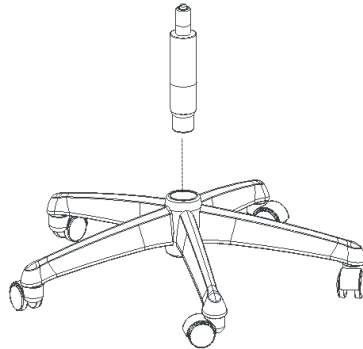


## Assembly Instruction

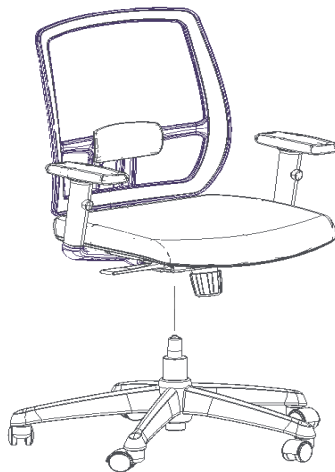
- 1 Turn the base with casters in the upright position and place onto the floor as shown. Orient the gas lift cylinder as shown and insert the larger end of the cylinder into the hole in the center of the base. Figure A

Figure A



- 2 Carefully position the seat assembly over the gas lift cylinder, aligning the hole in the seat control with the top, smaller end of the cylinder. Press the seat assembly onto the cylinder then sit on the seat to completely mate the components together. While seated, actuate height control lever and move the seat into its lowest position. Actuate height control lever and remove weight from chair to adjust chair up to comfortable sitting height. Figure B.

Figure B



### KD Task Chair

#### Recommended Tools

- Toolless

Package Contents	Qty.
• Back / Seat	1
• Base with Casters	1
• Gas lift Cylinder	1

NATIONAL | Furniture with Personality™

Telephone 800.482.1717  
Fax 812.482.8800  
www.NationalOfficeFurniture.com

Part #3138923  
Rev , -

Printed in U.S.A  
© 2018 Kimball International, Inc.

Proper product installation, in accordance with these instructions, is the responsibility of the installing agent. If you have any questions concerning these instructions, please call National Customer Service.