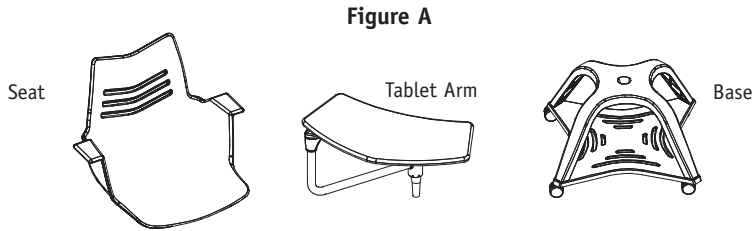
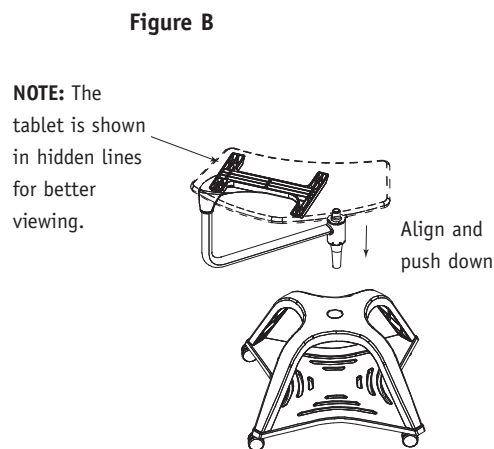


- 1** Unpack and sit aside the (3) three parts of the Student Chair. Seat, Tablet arm, and the Base (Figure A).



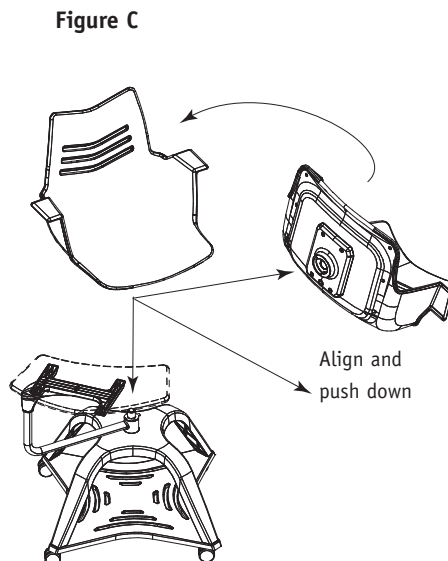
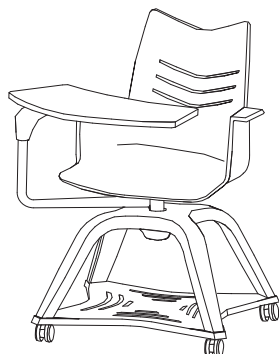
- 2** Align the Tablet Arm Assembly's Cylinder into the hole of the Base. Push down to engage (Figure B)

**NOTE:** The Tablet has been removed for better viewing in Figure B. It will be attached to your unit.



- 3** Align the sleeve on the Seat plate over the Cylinder of the Base. Push down to engage (Figure C).

**NOTE:** The Tablet has been removed for better viewing in Figure C. It will be attached to your unit.



**NOTE:** The tablet is shown removed for better viewing.

## Essay Student Chair with Tablet Arm

### Recommended Tools

- No tools Required

Package Contents	Qty.
• Seat	1
• Tablet Arm	1
• Base	1

# NATIONAL

Furniture with Personality<sup>®</sup>

Telephone 800.482.1717  
 Fax 812.482.8800  
[www.NationalOfficeFurniture.com](http://www.NationalOfficeFurniture.com)

Part #2481218  
 Rev,-

Printed in U.S.A  
 © 2015 Kimball International, Inc.

## Assembly Instruction

### Essay Student Chair with Tablet Arm and Cup Holder

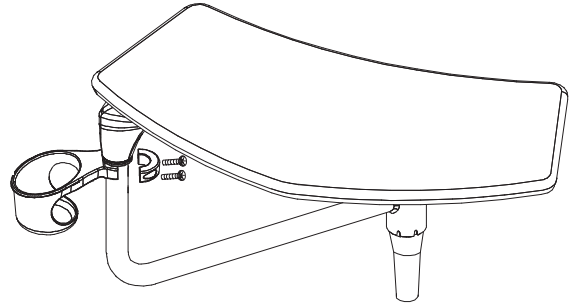
#### Recommended Tools

- 5/32" Allen Wrench

Package Contents	Qty.
• Cup Holder	1
• Cup Holder Clamp	1
• 5/32 Allen Screws	3

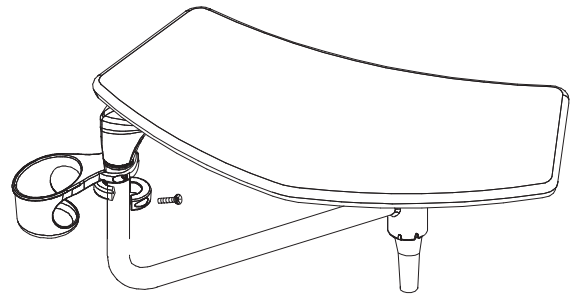
**1**

Position the Cup Holder on the Tablet arm just below the pivot joint. Fasten with a 5/32" Allen Wrench (Figure A).



**2**

Position the Cup Holder Clamp on the Tablet arm just below the Cup Holder. Fasten with a 5/32" Allen Wrench (Figure B).



**Figure B**

Proper product installation, in accordance with these instructions, is the responsibility of the installing agent. If you have any questions concerning these instructions, please call Kimball Customer Care Teams.