

**FRINGE LOUNGE PRODUCT SPECIFICATIONS  
92 SERIES**

**FRAME CONSTRUCTION**

- Interior frame is constructed of plywood with tenon joints that are glued and screwed for maximum joint stability
- Each joint is securely glued for maximum stability

**SEAT CONSTRUCTION**

- Lounge chairs feature 5½" of high grade polyurethane foam covering a plywood seat panel
- Club chair features 7½" of high grade polyurethane foam covering a plywood seat panel

**BACK CONSTRUCTION**

- Lounge chairs feature 1½" of high grade custom shaped polyurethane foam stretched over web sheet and attached to frame
- Club chair features 2¼" of high grade custom shaped polyurethane foam stretched over web sheet and attached to frame

**ARM REST**

- Lounge chairs feature plywood constructed arm frame covered with ¾" high grade polyurethane foam on arm surface and ⅜" on the sides
- Club chair features plywood constructed arm frame covered with 2" high grade polyurethane foam on arm surface and ⅜" on the sides

**TABLET ARMS**

- ¾" thick laminate with MDF core or ¾" thick plywood with veneer surface
- Attached with ¼" steel base plate with screws that mounts over a ¾" insert rod and fits into structure of arm
- Allows for 360 degree swivel and writing surface of 17" W x 12" D
- Tablet height is 28½" from floor to top of tablet surface

**LEGS AND GLIDES**

- Die-cast aluminum legs available in polished or powder coated Cinder, Platinum Metallic or Satin Nickel Metallic
- Features a black 1" adjustable leveling glide
- Soft glides are available for an additional upcharge

**CLUB CHAIR BASE AND GLIDES**

- Die-cast aluminum five-prong base available in polished or powder coated Cinder, Platinum Metallic or Satin Nickel Metallic
- Non-marring nylon glides

**CLUB CHAIR CONTROL**

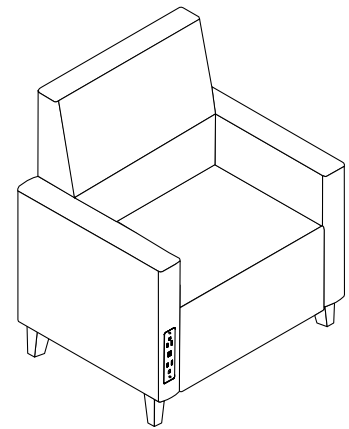
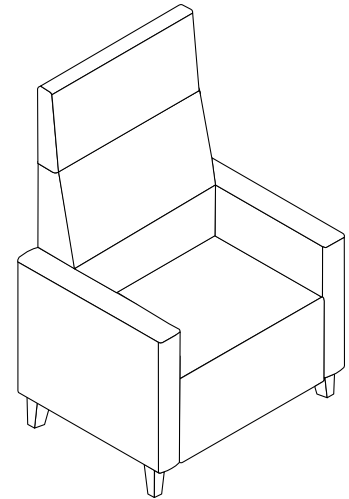
- Features 360 degree swivel with auto-return, static model only

**UPHOLSTERY DETAIL**

- Contrasting fabric available on all models, except benches and armless club chair

**POWER GROMMET**

- Features two electrical receptacles and two power USB ports
- Die-cast zinc in black or silver powder coat
- 9 foot, 15 Amp cord
- ETL listed to UL962A Standard



All Fringe models may be ordered to meet TB133 fire code.

To order seating to meet the TB133 fire code, specify an "F" at the end of the model number (Ex: N92M1MF).

For TB133 pricing, go to [www.NationalOfficeFurniture.com/TB133](http://www.NationalOfficeFurniture.com/TB133)

Please consult customer service for applicable Arc-Com, COM, Maharam, Momentum, Stinson or Ultrafabrics fabric.

**FABRICS**

Grade 1	American Graffiti
	Cali
	Plush
	Ridge
	Stardust
Grade 2	COM
	Orbit
	Pixie
	Sedona
	Shenanigans
	Spectrum
	Strand
	Twilight

Grade 3	Boardwalk
	COL
	Jacks
	Pop Rocks
Grade 4	Bumble
	Connect Four
	Echo
	Silvertex
Grade 5	Mode

Grade 6	Essence/Ultraleather
	Flock
	Scribe
Grade 7	Brisa
	Brisa Distressed
	Promessa
	Silica
Grade L7	Davenport
Grade L8	Showcase

**TABLET ARM**

LAC2	Laminate, Autumn 2
LCL	Laminate, Caramel
LCW	Laminate, Cordovan
LDW	Laminate, Judicial
LHN2	Laminate, Honey 2
LIM	Laminate, Brighton
LMC	Laminate, Amber
LMH	Laminate, Mocha
LNM	Laminate, Natural
LPB	Laminate, Portobello
LTF	Laminate, Truffle
L405	Laminate, Designer White
L417	Laminate, Mojave
L418	Laminate, Mouse
L419	Laminate, Wallaby
L425	Laminate, Shadow
L440	Laminate, Cloud
L461	Laminate, Graphite
L462	Laminate, Cinder
L478	Laminate, Platinum Grey
L488	Laminate, Frosty White
L491	Laminate, Designer White Linear
L492	Laminate, Cinder Linear
L791	Laminate, Palisander
L792	Laminate, Sable
L793	Laminate, Acorn
WAC	Wood, Autumn
WAD	Wood, Almond
WCL	Wood, Caramel
WCW	Wood, Cordovan
WDW	Wood, Judicial
WHN	Wood, Honey
WIM	Wood, Brighton
WMC	Wood, Amber
WMH	Wood, Mocha
WNM	Wood, Natural
WPB	Wood, Portobello
WTF	Wood, Truffle
W405	Wood, Designer White
W462	Wood, Cinder
W792	Wood, Sable
W793	Wood, Acorn

**LEG/BASE COLORS**

**METAL**

462	Cinder
497	Polished Aluminum
501	Platinum Metallic
503	Satin Nickel Metallic

**WOOD (\$129 LIST UPCHARGE PER CHAIR)**

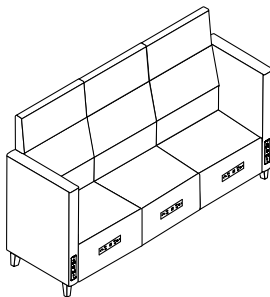
WAC	Autumn	WMH	Mocha
WAD	Almond	WNM	Natural
WCL	Caramel	WPB	Portobello
WCW	Cordovan	WTF	Truffle
WDW	Judicial	W405	Designer White
WHN	Honey	W462	Cinder
WIM	Brighton	W792	Sable
WMC	Amber	W793	Acorn

**POWER GROMMET OPTIONS**

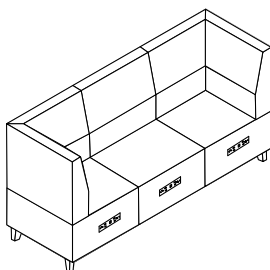
(\$456 list upcharge per location)

G23BL	Black, Left
G23BR	Black, Right
G23BLR	Black, Left & Right
G23SL	Silver, Left
G23SR	Silver, Right
G23SLR	Silver, Left & Right
X	No Grommet

**LOUNGE WITH POWER GROMMETS**



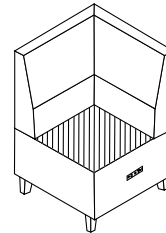
**COVE WITH POWER GROMMETS**



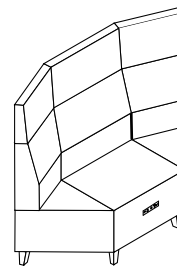
**GLIDES**

STD	Standard
C10	Soft (add \$27 list)

**CORNER WITH POWER GROMMETS**



**WEDGES WITH POWER GROMMETS**



**BENCH WITH POWER GROMMETS**

