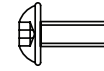


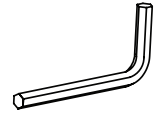
A  
4MM  
1 PC



B  
M6 X 30  
3 PCS

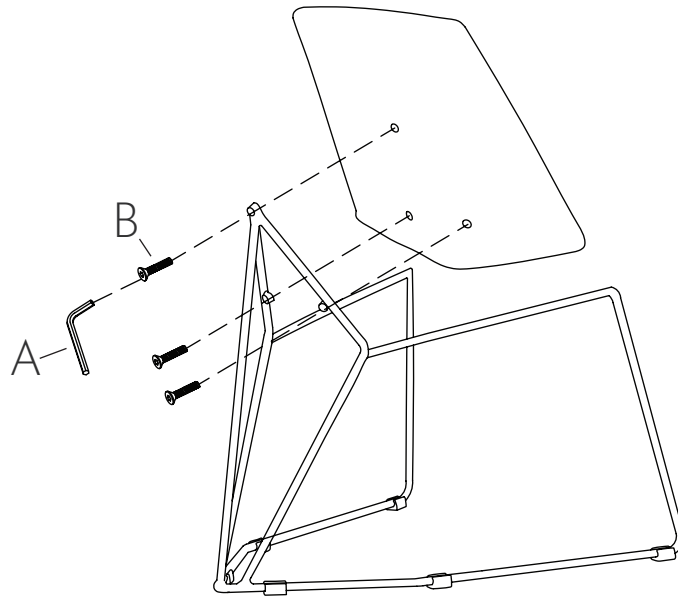


C  
M6 X 16  
4 PCS



D  
5MM  
1 PC

**STEP 01**



**STEP 02**

