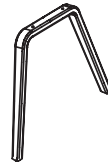


1
1 PC



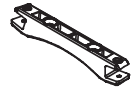
2
1 PC



3
1 PC



4
1 PC



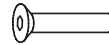
5
1 PC



6
M6 X 16
4 PCS



7
4 PCS



8
M6 X 45
4 PCS



9
4 PCS



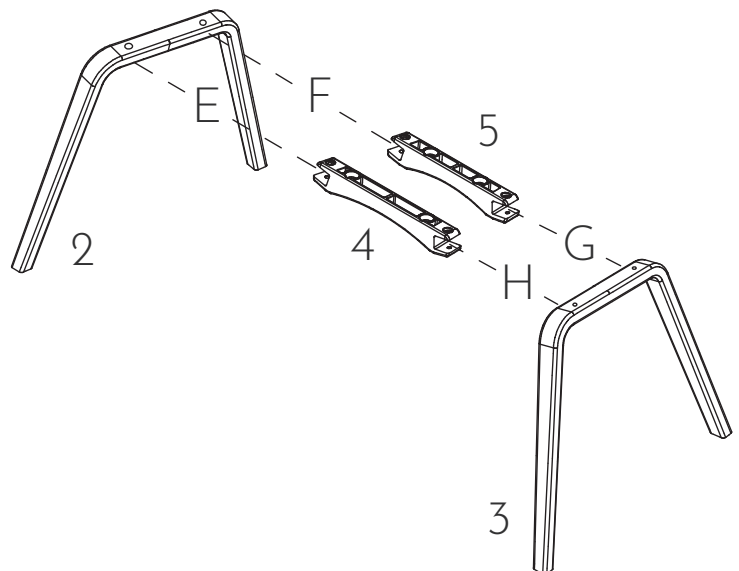
10
4 PCS



1 PC

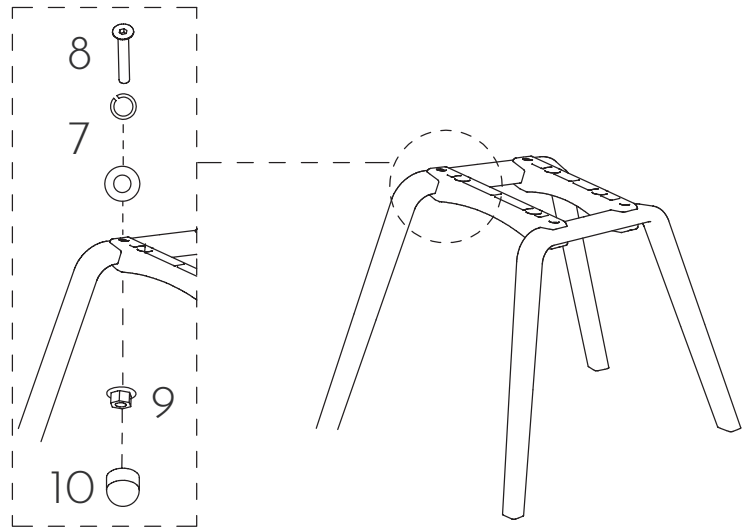
STEP 01

POSITION THE WOODEN LEGS WITH THE LETTERED STICKERS ALIGNED TO THE CORRESPONDING LETTER ON THE CONNECTING BRACKET. IT IS IMPORTANT TO ASSEMBLE THE UNIT ACCORDING TO THE SEQUENCE IN THE FOLLOWING DIAGRAMS.



STEP 02

TIGHTEN THE SCREWS AND NUTS AS SHOWN.



STEP 03

POSITION THE SEAT TO ALIGN THE PREDRILLED HOLES WITH THE HOLES IN THE CONNECTING BRACKETS. TIGHTEN THE SCREWS AND ATTACH THE PROTECTIVE COVER OVER THE NUT. TIGHTEN ANY SCREWS THAT MAY LOOSEN OVER TIME.

