



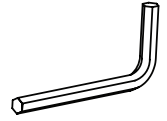
**A**  
M4 X 10  
2 PCS



**B**  
M6 X 10  
6 PCS



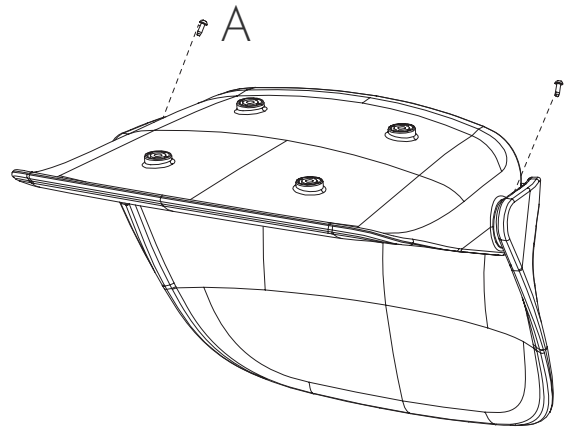
**C**  
6 PCS



**D**  
4MM/2.5MM  
1 PC EACH

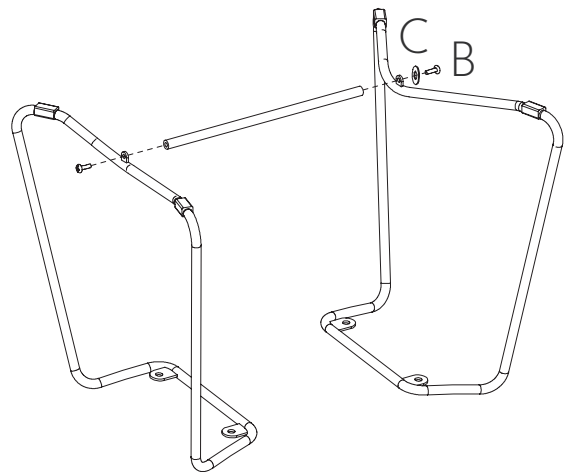
# STEP 01

ATTACH BACKREST TO SEAT,  
SECURE WITH 2 A SCREWS,  
ONE ON EACH SIDE.



# STEP 02

ATTACH CONNECTING LEVEL TO SEAT  
FRAME, SECURE TO FRAME WITH 2 B  
SCREWS AND 2 C WASHERS.



**STEP 03**

ATTACH ASSEMBLED SEAT FRAME  
TO SEAT BOTTOM, SECURE 4 B  
SCREWS AND 4 C WASHERS.

MAKE SURE ALL SCREWS ARE  
SECURED TIGHTLY.

