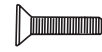




A
M6 X 20
4 PCS



B
M6 X 15
2 PCS

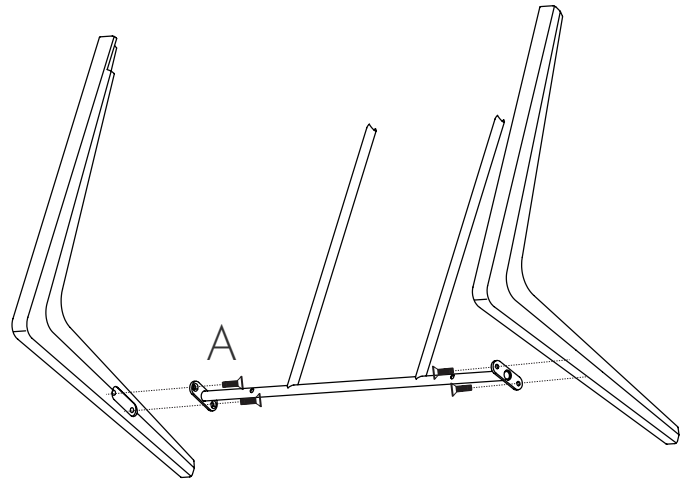


C
M6 X 30
2 PCS

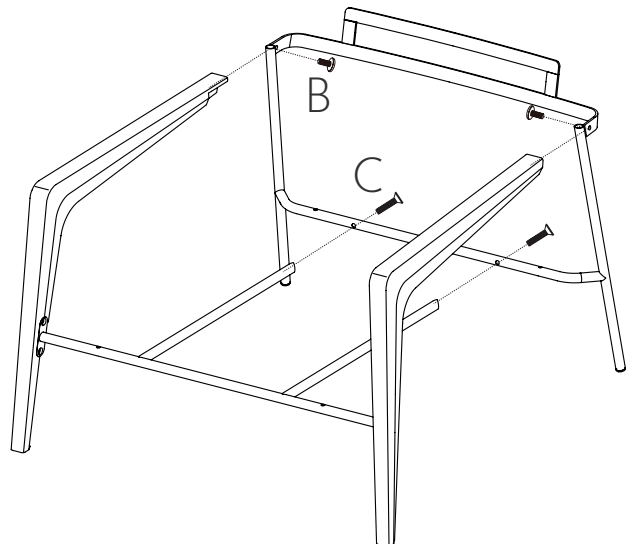


D
4 PCS

STEP 01



STEP 02



STEP 03

